

# Single 6 A High-Speed, Low-Side SiC MOSFET Driver

## NCP51705

The NCP51705 driver is designed to primarily drive SiC MOSFET transistors. To achieve the lowest possible conduction losses, the driver is capable of delivering the maximum allowable gate voltage to the SiC MOSFET device. By providing high peak current during turn-on and turn-off, switching losses are also minimized. For improved reliability, dV/dt immunity and even faster turn-off, the NCP51705 can utilize its on-board charge pump to generate a user selectable negative voltage rail.

For full compatibility and to minimize the complexity of the bias solution in isolated gate drive applications the NCP51705 also provides an externally accessible 5 V rail to power the secondary side of digital or high speed opto isolators.

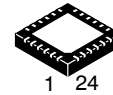
The NCP51705 offers important protection functions such as under-voltage lockout monitoring for the bias power and thermal shutdown based on the junction temperature of the driver circuit.

### Features

- High Peak Output Current with Split Output Stages to allow independent Turn-ON/Turn-OFF Adjustment;
  - ◆ Source Capability: 6 A
  - ◆ Sink Capability: 6 A
- Extended Positive Voltage Rating for Efficient SiC MOSFET Operation during the Conduction Period
- User-adjustable Built-in Negative Charge Pump for Fast Turn-off and Robust dV/dt Immunity
- Accessible 5 V Reference / Bias Rail for Digital Oscillator Supply
- Adjustable Under-Voltage Lockout
- Desaturation Function
- Thermal Shutdown Function (TSD)
- Small & Low Parasitic Inductance WQFN24 Package

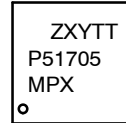
### Typical Applications

- Driving SiC MOSFET
- Industrial Inverters, Motor Drivers
- PFC, AC to DC and DC to DC Converters



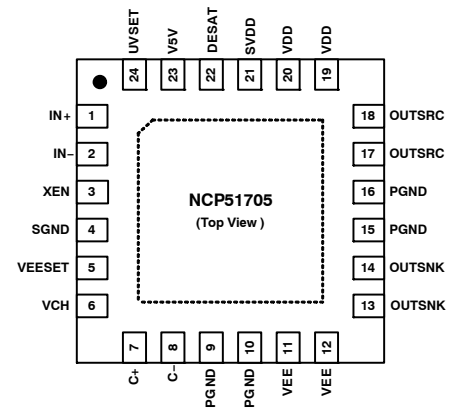
WQFN24 4x4  
MN SUFFIX  
CASE 510BE

### MARKING DIAGRAM



- Z = Plant Code
- X = 1-Digit Year Code
- Y = 1-Digit Week Code
- TT = 2-Digit Die Run Code
- MP = Package Type (QFN)
- X = Package Type (Tape & Reel)

### PIN CONNECTIONS

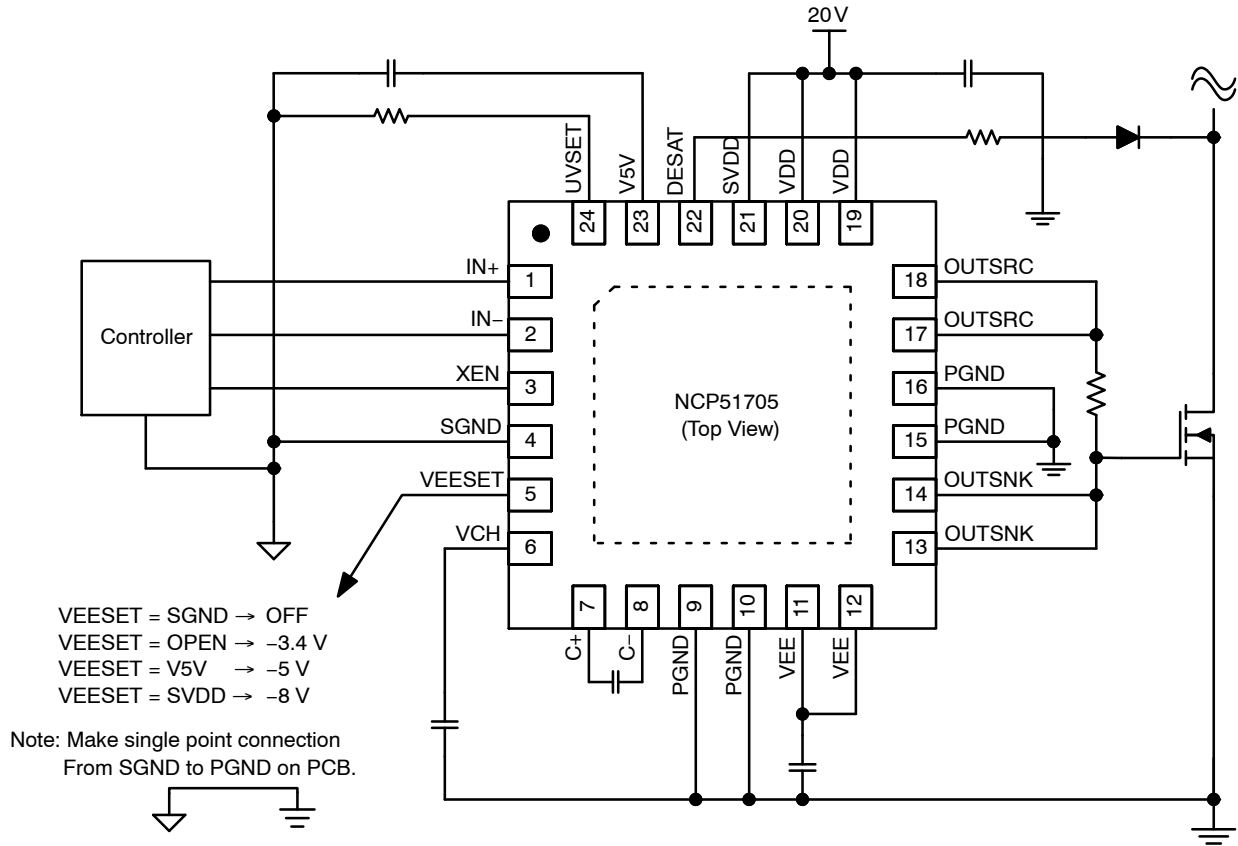


### ORDERING INFORMATION

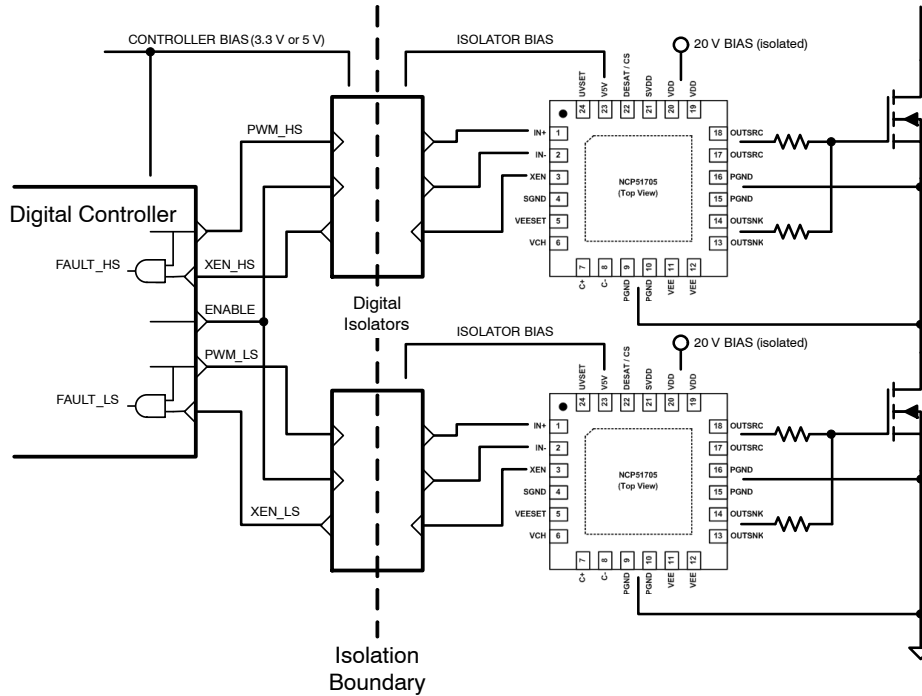
Device	Package	Shipping <sup>†</sup>
NCP51705MNTXG	WQFN24 (Pb-Free)	3000 / Tape & Reel

<sup>†</sup>For information on tape and reel specifications, including part orientation and tape sizes, please refer to our Tape and Reel Packaging Specification Brochure, BRD8011/D.

# NCP51705



(a) Low Side Switching Configuration



(b) Half Bridge Switching Configuration

Figure 1. Typical Application Schematics

# NCP51705

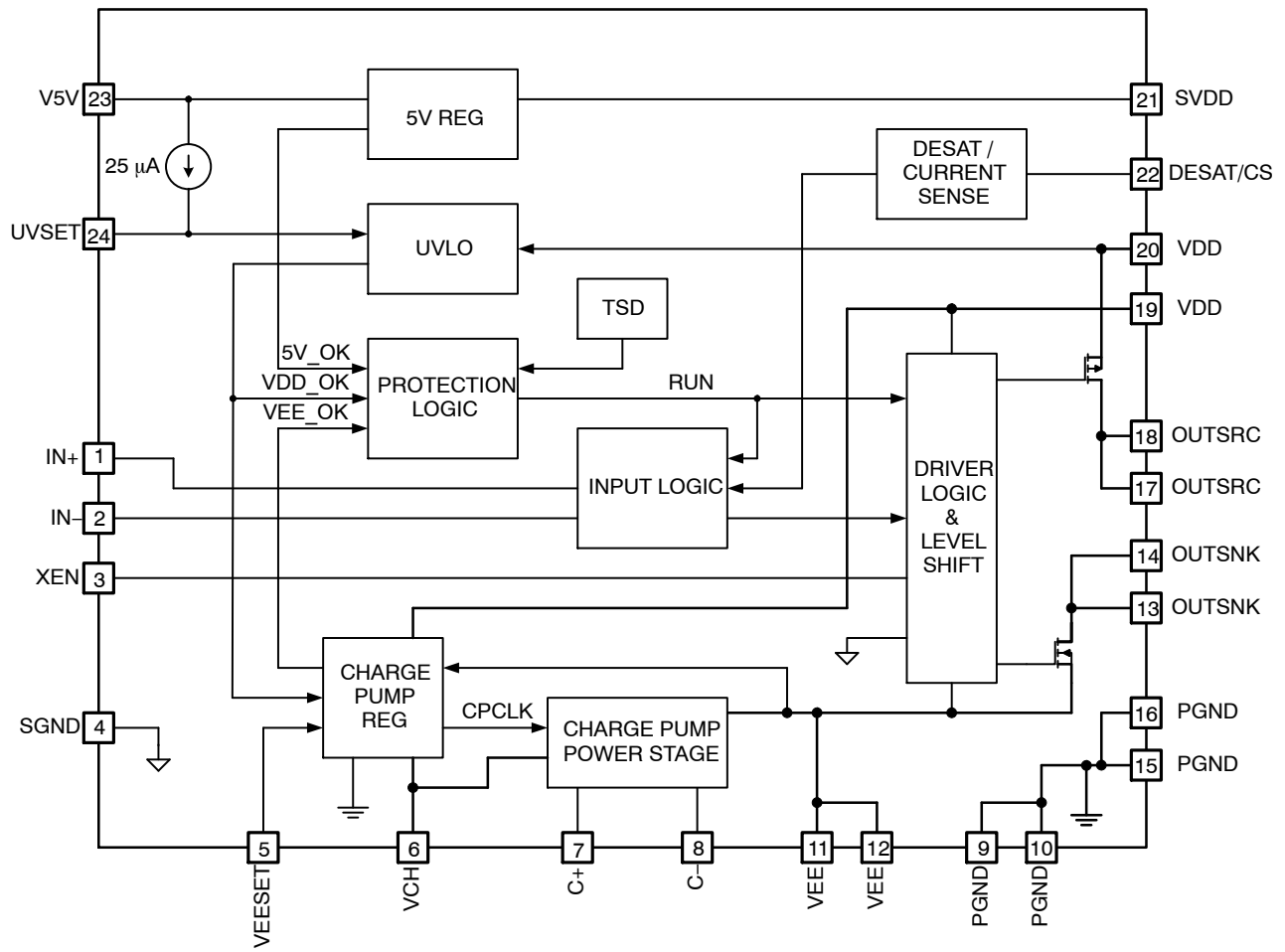


Figure 2. Internal Block Diagram

# NCP51705

## PIN CONNECTIONS

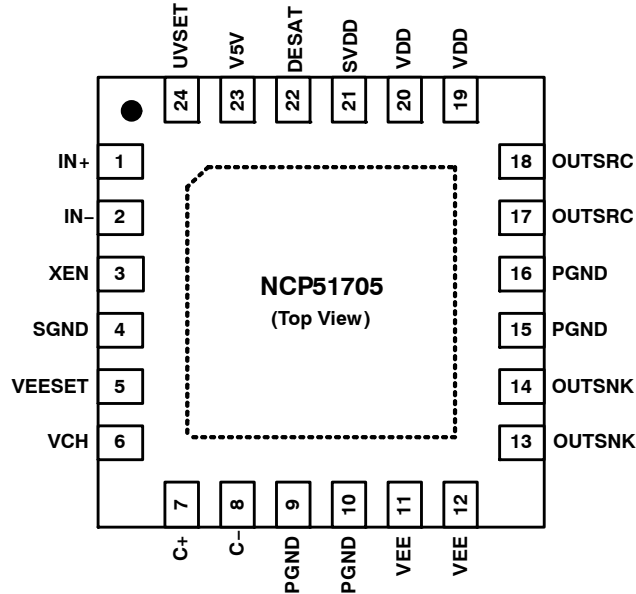


Figure 3. Pin Assignments – 24 Leads QFN (Top View)

## PIN FUNCTION DESCRIPTION

Pin #	Name	Description
1	IN+	Input for non-inverting, logic level PWM signal or ENABLE signal.
2	IN-	Input for inverting, logic level PWM signal or DISABLE signal.
3	XEN	Driver state flag. See the application description for details.
4	SGND	Signal ground.
5	VEESET	Negative bias voltage select pin.
6	VCH	Regulated bias voltage for the charge pump.
7	C+	Positive node of the flying charge pump capacitor.
8	C-	Negative node of the flying charge pump capacitor.
9,10,15,16	PGND	Power ground.
11,12	VEE	Negative drive voltage, the output of the charge pump
13,14	OUTSNK	Pull down drive.
17,18	OUTSRC	Pull up drive.
19,20	VDD	Positive bias voltage for the high current driver section.
21	SVDD	Positive bias voltage for the control section of the driver.
22	DESAT	Sense input for the desaturation / current limit input of the driver.
23	V5V	External bypass for 5 V controller bias – suitable to power digital isolators
24	UVSET	Input for setting the Under voltage lock out threshold. (minimum operating voltage level)

## OUTPUT LOGIC

IN+	IN-	OUTSRC
0 (Note 1)	0	0
0 (Note 1)	1 (Note 1)	0
1	0	1
1	1 (Note 1)	0

1. Default input signal if no external connection is made.

# NCP51705

## ABSOLUTE MAXIMUM RATINGS

Symbol	Parameter	Min.	Max.	Unit
V <sub>DD</sub>	Power Supply Voltage	-0.3	28	V
V <sub>V5V</sub>	Bias Rail	-0.3	5.5	V
V <sub>CH</sub>	Charge Pump Supply Voltage	-0.3	10	V
V <sub>EE</sub>	Charge Pump Output; Negative Gate Drive Voltage	-9	+0.3	V
V <sub>VEESET</sub>	Charge Pump Output Voltage Select	-0.3	28	V
V <sub>IN+</sub> ; V <sub>IN-</sub>	Logic Input Voltage Levels	-0.3	V <sub>5V</sub> +0.3	V
V <sub>UVSET</sub>	UVLO SET Voltage	-0.3	V <sub>5V</sub> +0.3	V
V <sub>XEN</sub>	Logic Output Voltage Levels	-0.3	V <sub>5V</sub> +0.3	V
V <sub>DESAT</sub>	Desaturation / Current sense voltage	-0.3	12	V
V <sub>C+</sub>	Positive node of the flying charge pump capacitor	-0.3	V <sub>CH</sub> +0.3	V
V <sub>C-</sub>	Negative node of the flying charge pump capacitor	+0.3	V <sub>EE</sub> -0.3	V
V <sub>OUTSRC</sub>	Gate Drive Source Output Voltage	V <sub>EE</sub> -0.3	V <sub>DD</sub> +0.3	V
V <sub>OUTSNK</sub>	Gate Drive Sink Output Voltage	V <sub>EE</sub> -0.3	V <sub>DD</sub> +0.3	V
f <sub>MAX</sub>	Maximum Operating Frequency (Note 2)		500	kHz
T <sub>J</sub>	Junction Temperature	-55	150	°C
T <sub>STG</sub>	Storage Temperature	-55	150	°C

Stresses exceeding those listed in the Maximum Ratings table may damage the device. If any of these limits are exceeded, device functionality should not be assumed, damage may occur and reliability may be affected.

2. Maximum operating frequency refers to ground reference applications and might be limited by power dissipation below the recommended value.

## THERMAL CHARACTERISTICS

Parameters		Symbol	Value	Unit
Thermal Characteristics, QFN 4x4 24 Leads Thermal Resistance Junction–Air (Notes 3 & 4)	1S0P with thermal vias	$\theta_{JA}$	127	°C/W
	1S2P with thermal vias		43	
	1S0P with thermal vias	$\Psi_{jt}$	12	
	1S2P with thermal vias		3.7	
Power Dissipation (Note 4)	1S0P with thermal vias	P <sub>D</sub>	0.98	W
	1S2P with thermal vias		2.9	

3. Refer to ELECTRICAL CHARACTERISTICS, RECOMMENDED OPERATING RANGES and/or APPLICATION INFORMATION for Safe Operating parameters.

4. JEDEC standard: JESD51–2, JESD51–3. Mounted on 76.2×114.3×1.6mm PCB (FR–4 glass epoxy material).

1S0P with thermal vias: one signal layer with zero power plane and thermal vias

1S2P with thermal vias: one signal layer with two power plane and thermal vias.

## ESD CAPABILITY

Symbol	Parameter	Value	Unit
ESD	Human Body Model, JESD22–A114 (Note 5)	2000	V
ESD	Charged Device Model, JESD22–C101 (Note 5)	1000	V

5. Meets JEDEC standards JESD 22–A114 and JESD 22–C101.

# NCP51705

## RECOMMENDED OPERATING CONDITIONS

Symbol	Parameter	Min.	Max.	Unit
V <sub>DD</sub>	Positive Power Supply Voltage	10	22	V
V <sub>EE</sub>	Negative Power Supply Voltage	-8	0	V
V <sub>CH</sub>	Charge Pump Power Supply Voltage	0	8	V
V <sub>V5V</sub>	5 V internal/external bias output	0	5.5	V
V <sub>ENA</sub>	Logic Enable Voltage	0	5.5	V
V <sub>IN</sub>	Logic Input Voltage	0	5.5	V
V <sub>XEN</sub>	Logic Output Voltage	0	5.5	V
V <sub>VEESET</sub>	Charge Pump Output Voltage Setting	0	22	V
V <sub>UVSET</sub>	UVLO Threshold Setting	2	3.5	V
V <sub>DESAT</sub>	Desaturation Voltage	0	10	V
f <sub>SW</sub>	Operating Frequency (Note 6)		500	kHz
T <sub>A</sub>	Operating Ambient Temperature	-40	125	°C

Functional operation above the stresses listed in the Recommended Operating Ranges is not implied. Extended exposure to stresses beyond the Recommended Operating Ranges limits may affect device reliability.

6. Maximum operating frequency refers to ground referenced applications and might be limited by power dissipation below the recommended value.

# NCP51705

**ELECTRICAL CHARACTERISTICS** ( $V_{DD}=20\text{ V}$ ,  $V_{EESET}=0\text{ V}$  and  $C_{LOAD}=1000\text{ pF}$  for typical values  $T_A=25^\circ\text{C}$ , for min/max values  $T_J=T_A=-40^\circ\text{C}$  to  $+125^\circ\text{C}$ , unless otherwise specified.) (Notes 7, 8)

Symbol	Parameters	Test Conditions	Min.	Typ.	Max.	Units
--------	------------	-----------------	------	------	------	-------

## VDD Section

$I_{DD}$	Operating $V_{DD}$ Supply Current	$f_{IN} = 100\text{ kHz}$ , $V_{EESET} = 5\text{ V}$		12	18	mA
$I_{QDD1}$	Quiescent $V_{DD}$ Supply Current 1	$V_{IN+} = V_{IN-} = 0\text{ V}$ , $V_{EESET} = 5\text{ V}$		4.5	6.5	mA
$I_{QDD2}$	Quiescent $V_{DD}$ Supply Current 2	$V_{IN+} = 0\text{ V}$ , $V_{IN-} = 5\text{ V}$		0.85	1	mA
$I_{UVSET}$	Source Current for UV Voltage Set	$V_{UVSET} = 3\text{ V}$	22	25	28	$\mu\text{A}$
$V_{DDUV+}$	$V_{DD}$ Supply Under-Voltage Positive-going Threshold Voltage	$V_{UVSET} = 3\text{ V}$	17	18	19	V
$V_{DDUV-}$	$V_{DD}$ Supply Under-Voltage Negative-going Threshold Voltage	$V_{UVSET} = 3\text{ V}$	16	17	18	V
$V_{DDHYS}$	$V_{DD}$ Supply UVLO Hysteresis Voltage	$V_{DDUV+} - V_{DDUV-}$		1		V
$V_{UVSET,MIN}$	UVSET pin short protection Threshold Voltage	$V_{UVSET}$ rising		1.55		V
$V_{UVSET,HYS}$	UVSET pin short protection Hysteresis			0.2		V

## 5V Regulator Section

$V_{5V}$	5 V Bias (Note 9)	$T_A = 25^\circ\text{C}$	4.9	5	5.1	V
		Total Variation	4.75	5	5.25	V
$V_{5V\_Reg}$	5 V Line Regulation	$10\text{ V} < V_{DD} < 22\text{ V}$ , $I_{OUT} = 10\text{ mA}$			50	mV
	5 V Load Regulation	$0.1\text{ mA} < I_{OUT} < 10\text{ mA}$			50	mV
$I_{5V\_MAX}$	Maximum Output Current (Note 10)	for external load	20	25		mA

## VEE Regulator Section

$I_{VEESET}$	Input $V_{EESET}$ Bias Current			5		$\mu\text{A}$
$V_{VCH,MAX}$	Maximum $V_{CH}$ Output Voltage (Note 10)				10	V

## Charge Pump Section

$V_{EE}$	Negative Bias Rail Voltage	$V_{EESET} = 5\text{ V}$	-5.5	-5	-4.5	V
		$V_{EESET} = \text{open}$	-3.8	-3.4	-3.0	V
		$V_{EESET} = V_{DD}$		-8		V
$I_{VEE,MAX}$	Maximum Output Current of $V_{EE}$	$C_{FYL} = 0.47\text{ }\mu\text{F}$ , $C_{VEE} = 1.5\text{ }\mu\text{F}$ $C_{LOAD} = 8.5\text{ nF}$ , $V_{EESET} = 5\text{ V}$			50	mA
$f_{OSC}$	Oscillator Switching Frequency for Charge Pump		350	390	430	kHz

## Desaturation Section

$I_{DESAT}$	DC Source Current	$V_{DESAT} = 0\text{ V}$	360	400	440	$\mu\text{A}$
$V_{TH,DESAT}$	Desaturation Protection Threshold Voltage		7	7.5	8	V
$t_{DEL,DESAT}$	Blanking Time after turn-on		350	500	650	ns
$R_{ON,DESAT}$	Active Pull Down Resistance			5	10	$\Omega$

## Thermal Shutdown Section

TSD	Thermal ShutDown Temperature (Note 10)		130	150		$^\circ\text{C}$
TSD_HYS	TSD Hysteresis (Note 10)			25		$^\circ\text{C}$

- Product parametric performance is indicated in the Electrical Characteristics for the listed test conditions, unless otherwise noted. Product performance may not be indicated by the Electrical Characteristics if operated under different conditions.
- Performance guaranteed over the indicated operating temperature range by design and/or characterization tested at  $T_J = T_A = 25^\circ\text{C}$ .
- Exclude overshoot voltage at start-up.
- This parameter, although guaranteed by design, is not tested in production.

# NCP51705

**ELECTRICAL CHARACTERISTICS** ( $V_{DD}=20\text{ V}$ ,  $V_{EESET}=0\text{ V}$  and  $C_{LOAD}=1000\text{ pF}$  for typical values  $T_A=25^\circ\text{C}$ , for min/max values  $T_J=T_A=-40^\circ\text{C}$  to  $+125^\circ\text{C}$ , unless otherwise specified.) (Notes 7, 8)

Symbol	Parameters	Test Conditions	Min.	Typ.	Max.	Units
--------	------------	-----------------	------	------	------	-------

**Input Logic Section; IN+; IN-**

$V_{IH}$	High Level Input Voltage			1.6	2.0	V
$V_{IL}$	Low Level Input Voltage		0.8	1.2		V
$V_{INHYS}$	Input Logic Hysteresis			0.4		V
$I_{IN+}$	High Level Logic Input Bias Current	$V_{IN+} = 5\text{ V}$		50		$\mu\text{A}$
$I_{IN-}$	Low Level Logic Input Bias Current	$V_{IN-} = 0\text{ V}$		50		$\mu\text{A}$
$R_{IN+}$	Logic Input Pull-Down Resistance		75	100	125	$\text{k}\Omega$
$R_{IN-}$	Logic Input Pull-Up Resistance		75	100	125	$\text{k}\Omega$

**Output Logic Section; XEN**

$V_{OHX}$	High Level Output Voltage ( $V_{5V}-V_{OH}$ )	$I_{OUT} = 1\text{ mA}$		0	0.5	V
$V_{OLX}$	Low Level Output Voltage	$I_{OUT} = 1\text{ mA}$		0	0.2	V
$I_{XENH}$	High Level Logic Output Source Current (Note 10)				5	$\text{mA}$
$I_{XENL}$	High Level Logic Output Sink Current (Note 10)				5	$\text{mA}$

**Gate Driver Output Section**

$I_{SOURCE}$	OUTSRC Source Current (Note 10)	$OUTSRC = 0\text{ V}$ , $VEESET = 5\text{ V}$		6		A
$I_{SINK}$	OUTSNK Sink Current (Note 10)	$OUTSNK = 20\text{ V}$ , $VEESET = 5\text{ V}$		6		A
$V_{OH}$	High Level Output Voltage ( $V_{DD}-V_{OUT}$ )	$I_{OUT} = 100\text{ mA}$		0	0.5	V
$V_{OL}$	Low Level Output Voltage	$I_{OUT} = 100\text{ mA}$		0	0.2	V
$t_{ON}$	Turn-On Propagation Delay Time	$C_{LOAD} = 1\text{ nF}$		25	50	ns
$t_{OFF}$	Turn-Off Propagation Delay Time	$C_{LOAD} = 1\text{ nF}$		25	50	ns
$t_R$	Turn-On Rise Time	$C_{LOAD} = 1\text{ nF}$		8	15	ns
$t_F$	Turn-Off Fall Time	$C_{LOAD} = 1\text{ nF}$		8	15	ns

7. Product parametric performance is indicated in the Electrical Characteristics for the listed test conditions, unless otherwise noted. Product performance may not be indicated by the Electrical Characteristics if operated under different conditions.
8. Performance guaranteed over the indicated operating temperature range by design and/or characterization tested at  $T_J = T_A = 25^\circ\text{C}$ .
9. Exclude overshoot voltage at start-up.
10. This parameter, although guaranteed by design, is not tested in production.



# NCP51705

## TYPICAL PERFORMANCE CHARACTERISTICS

Typical characteristics are provided at 25°C and  $V_{DD} = 20\text{ V}$  unless otherwise noted.

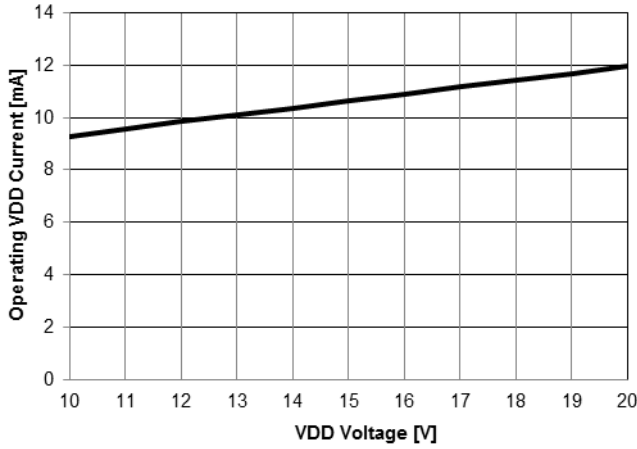


Figure 4. Operating Current ( $I_{DD}$ ) vs. Operating Voltage ( $V_{DD}$ )

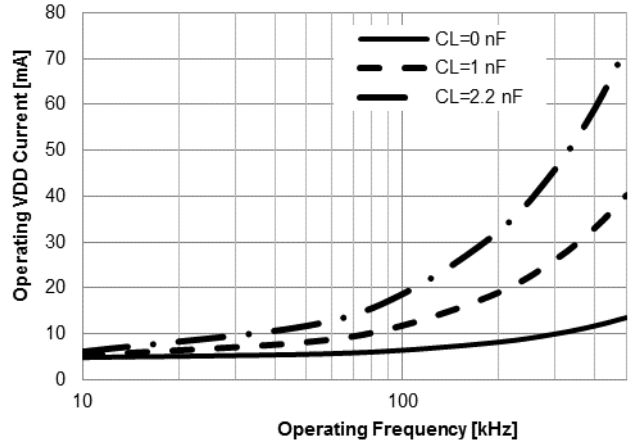


Figure 5. Operating Current ( $I_{DD}$ ) vs. Operating Frequency

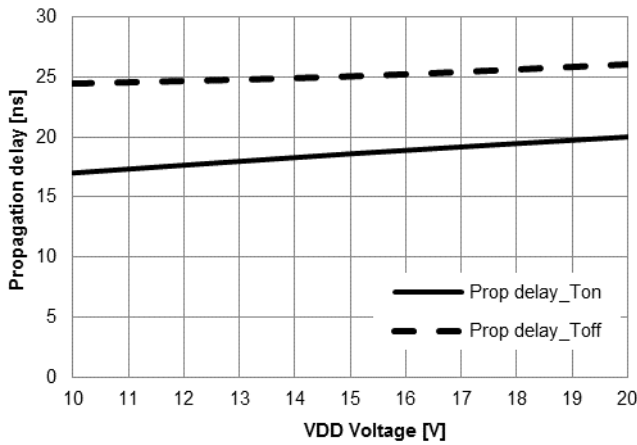


Figure 6. Propagation Delay Time vs. Operating Voltage ( $V_{DD}$ )

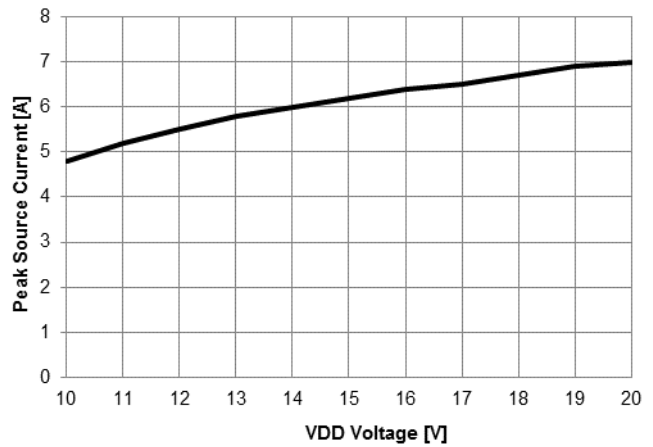


Figure 7. Sourcing Current vs. Operating Voltage ( $V_{DD}$ )

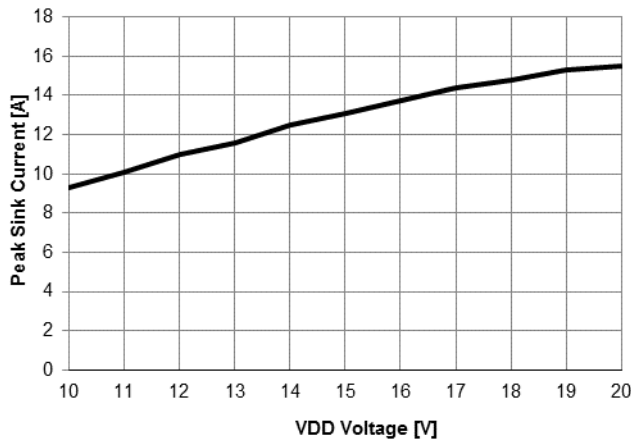


Figure 8. Sinking Current vs. Operating Voltage ( $V_{DD}$ )

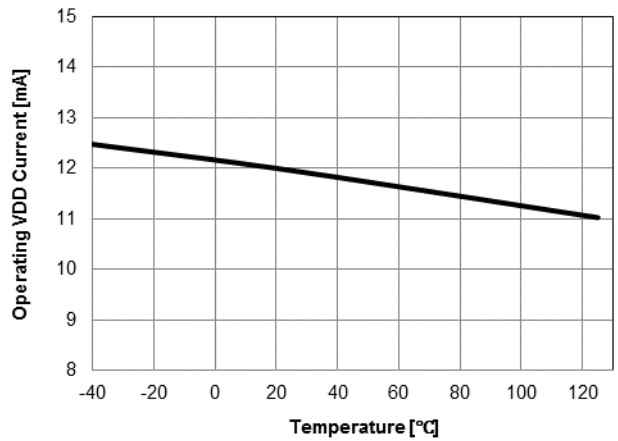


Figure 9. Operating Current ( $I_{DD}$ ) vs. Temperature

TYPICAL PERFORMANCE CHARACTERISTICS

Typical characteristics are provided at 25°C and  $V_{DD} = 20\text{ V}$  unless otherwise noted.

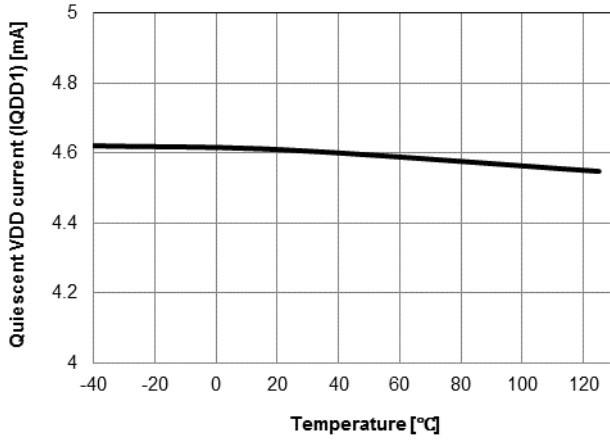


Figure 10. Quiescent Current 1 ( $I_{QDD1}$ ) vs. Temperature

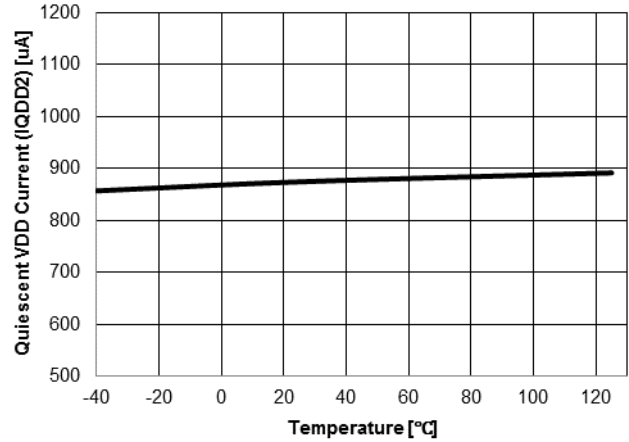


Figure 11. Quiescent Current 2 ( $I_{QDD2}$ ) vs. Temperature

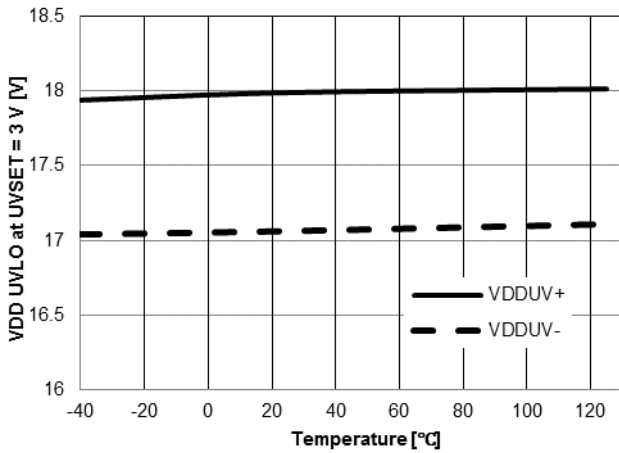


Figure 12. VDD UVLO vs. Temperature

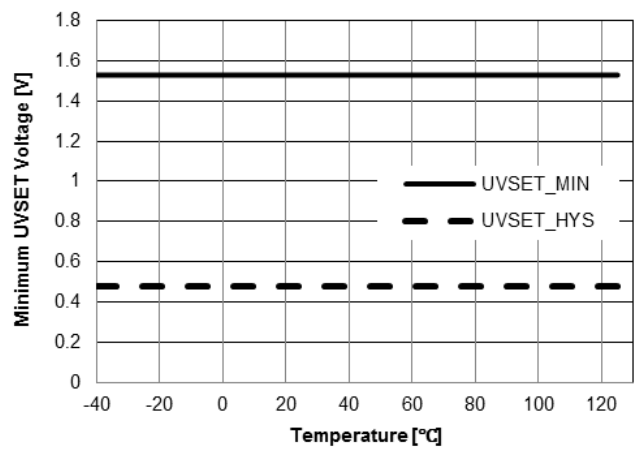


Figure 13. UVSET vs. Temperature

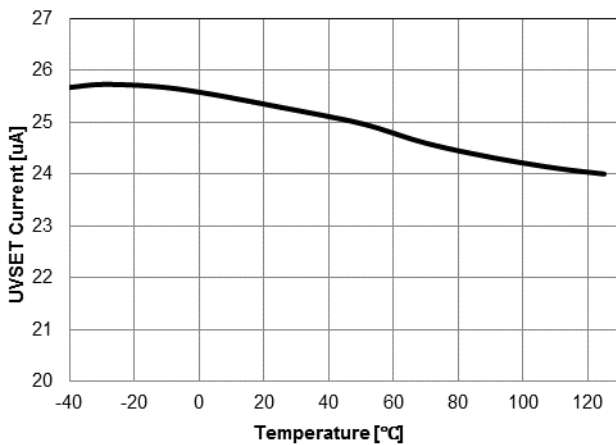


Figure 14. UVSET Current ( $I_{UVSET}$ ) vs. Temperature

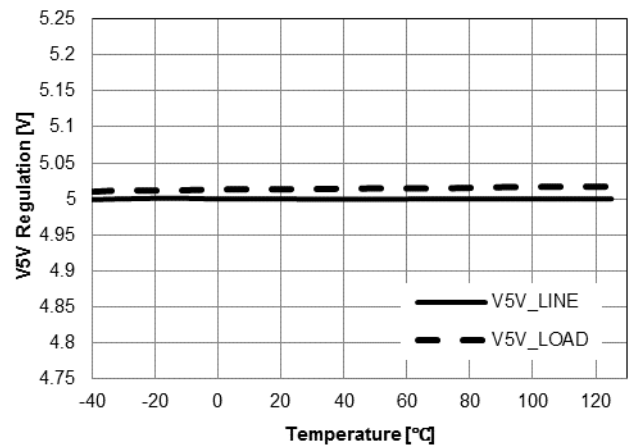


Figure 15. 5 V Regulated Output Voltage (V5V) vs. Temperature

TYPICAL PERFORMANCE CHARACTERISTICS

Typical characteristics are provided at 25°C and  $V_{DD} = 20\text{ V}$  unless otherwise noted.

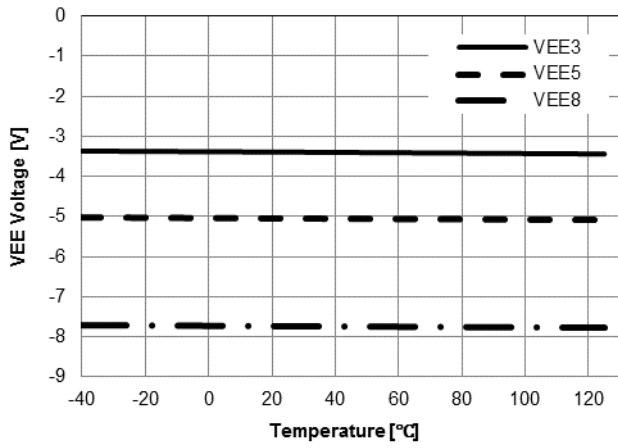


Figure 16. Negative Bias Voltage of Charge Pump vs. Temperature

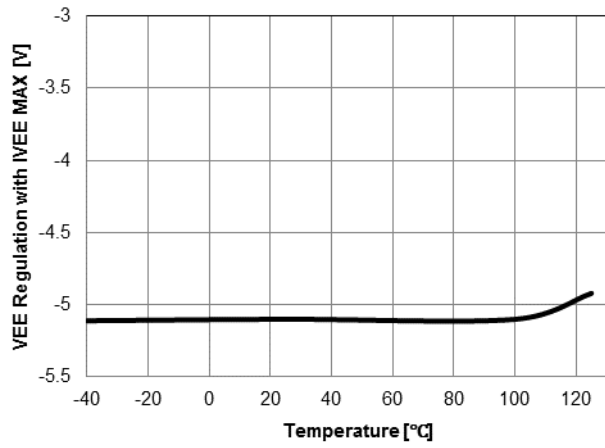


Figure 17. VEE5 Regulated Voltage with  $I_{VEE,MAX}$  vs. Temperature

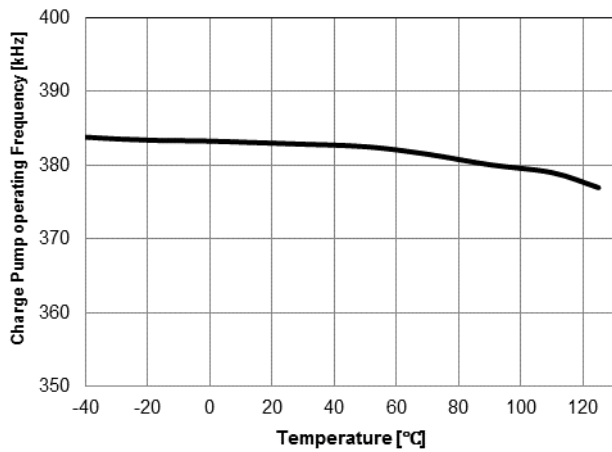


Figure 18. Charge Pump Operating Frequency ( $f_{osc}$ ) vs. Temperature

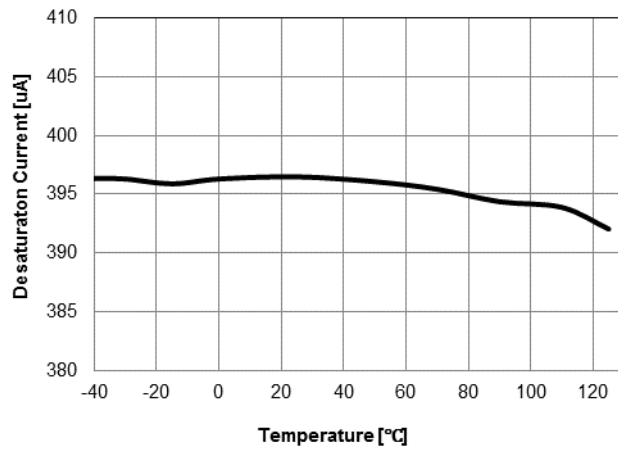


Figure 19. Desaturation Current ( $I_{DESAT}$ ) vs. Temperature

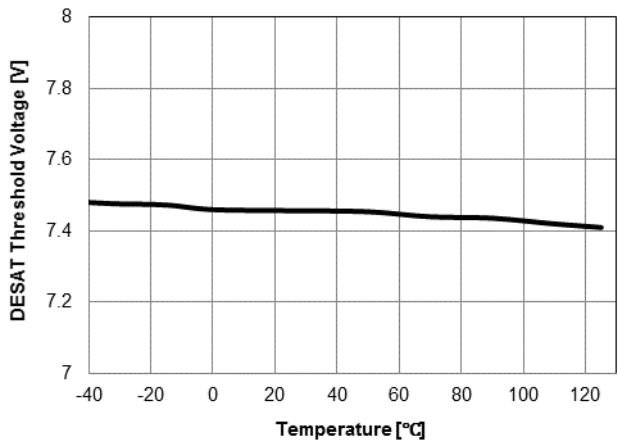


Figure 20. DESAT Threshold Voltage ( $V_{TH,DESAT}$ ) vs. Temperature

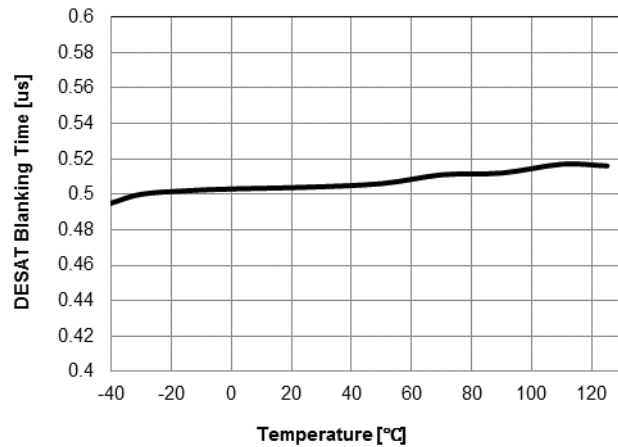


Figure 21. Desaturation Blanking Time ( $t_{DEL, DESAT}$ ) vs. Temperature

TYPICAL PERFORMANCE CHARACTERISTICS

Typical characteristics are provided at 25°C and  $V_{DD} = 20\text{ V}$  unless otherwise noted.

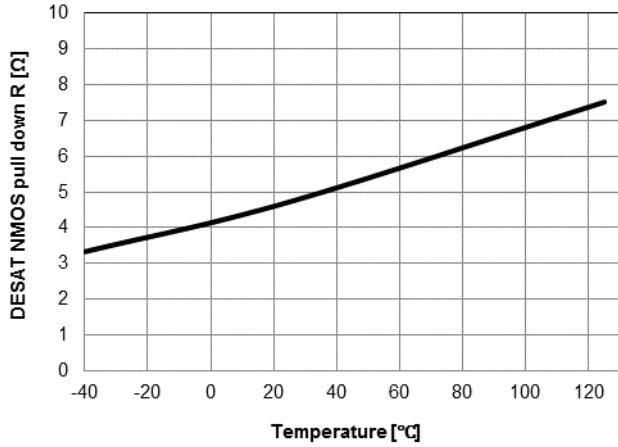


Figure 22. DESAT Pull Down Resistance ( $R_{DON,DESAT}$ ) vs. Temperature

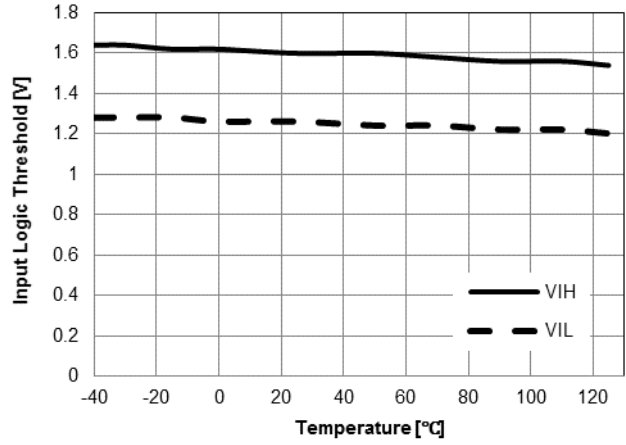


Figure 23. Input Logic Threshold Voltage vs. Temperature

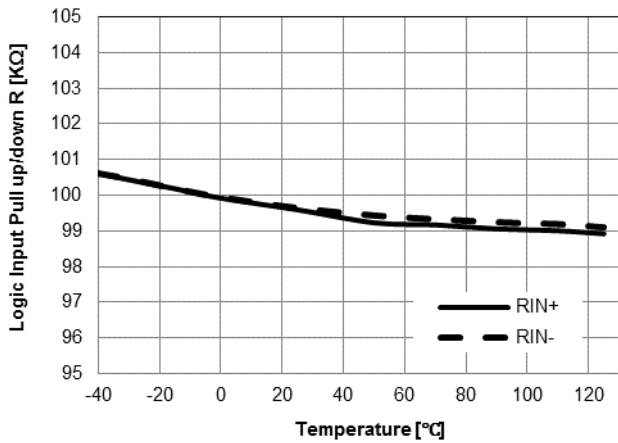


Figure 24. Logic Input Resistance vs. Temperature

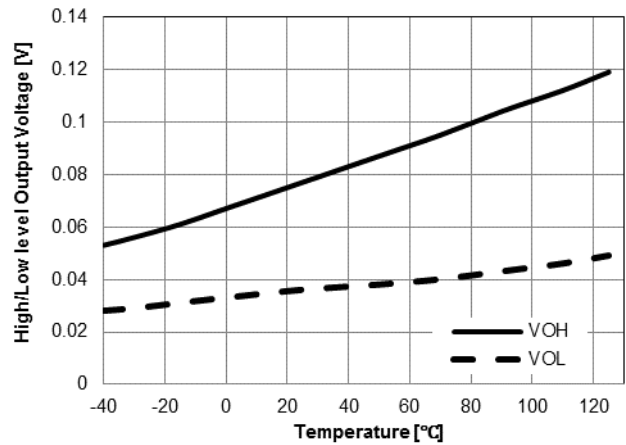


Figure 25. XEN Logic Output Voltage vs. Temperature

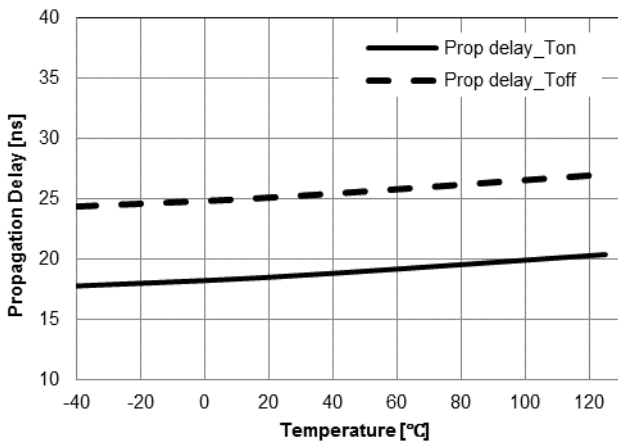


Figure 26. Propagation Delay Time vs. Temperature

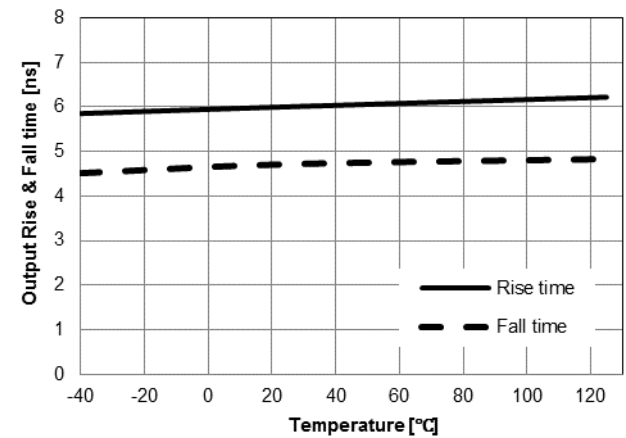


Figure 27. Turn On Rising and Turn Off Falling Time vs. Temperature

# NCP51705

## APPLICATIONS INFORMATION

The NCP51705 can be quickly configured by following the steps outlined in this section. The component references

made throughout this section refer to the schematic diagram and reference designations shown in Figure 28.

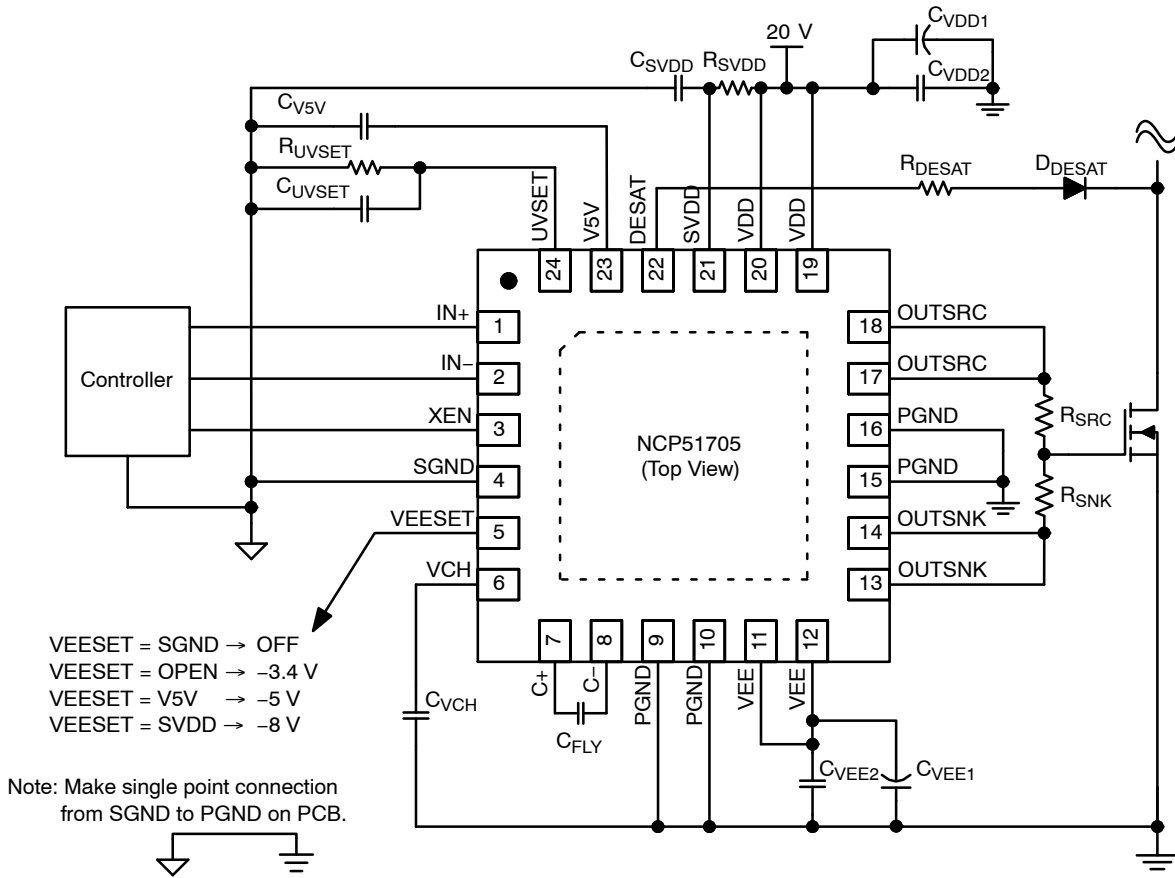


Figure 28. Application Schematic

### Input (IN+, IN-)

Both independent PWM inputs are TTL compatible and are internally pulled to the correct states such that each corresponding driver input is defaulted to the inactive (disabled) state. The TTL input thresholds provide buffer and level translation functions from logic inputs. The input thresholds meet industry-standard TTL-logic thresholds, independent of the  $V_{DD}$  voltage, and there is a hysteresis voltage of approximately 0.4 V. These levels permit the inputs to be driven from a range of input logic signal levels for which a voltage over 2 V is considered logic high. The driving signal for the TTL inputs should have fast rising and falling edges with a slew rate of 6 V/ $\mu$ s or faster, so a rise time from 0 to 3.3 V should be 550 ns or less. With reduced slew rate, circuit noise could cause the driver input voltage to exceed the hysteresis voltage and retrigger the driver input, causing erratic operation.

For non-inverting input logic the PWM input signal is applied to IN+ while the IN- input can be used as an enable

function. If IN- is pulled HIGH, the driver output remains LOW, regardless of the state of IN+. To enable the driver output, IN- should be tied to SGND through a 10 k $\Omega$  resistor, as shown in Figure 29, or can be used as an active LOW enable pull down. The start-up logic waveforms shown in Figure 30 illustrate the expected behavior when applying a PWM input signal to the IN+ input while the IN- input is pulled LOW to SGND. In this example, the PWM signal is applied prior to the application of VDD. When VDD is greater than  $\sim$ 7.5 V, the NCP51705 internal charge pump is enabled and begins switching. The output is only enabled when VDD is greater than the set UVLO ON level (VON) and VEE is less than 80% of the programmed voltage level. The output begins switching corresponding to the next PWM rising edge after both UVLO thresholds have been crossed. This method of edge detection, assures the output accurately represents the PWM input while preventing the output from possibly switching in the middle of an IN+, PWM pulse on-time.

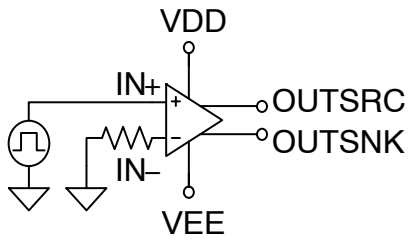


Figure 29. Non-inverting input configuration

Table 1. Non-inverting logic, IN+, truth table

IN+ (PWM)	IN- (SGND)	OUTSRC	OUTSNK
0	0	0	1
1	0	1	0

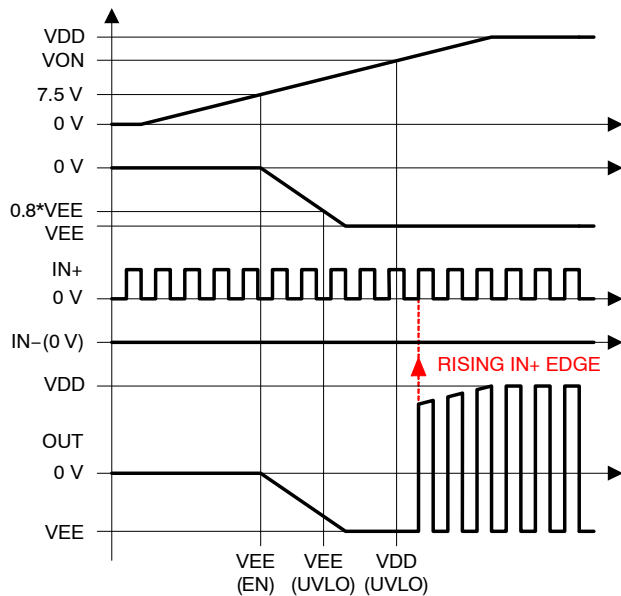


Figure 30. Non-inverting start-up logic

For inverting input logic the PWM input signal is applied to IN- while the IN+ input can be used as an enable function. If IN+ is pulled LOW, the driver output remains LOW, regardless of the state of IN-. To enable the driver output, IN+ should be tied to V5V (5 V) through a 10 kΩ resistor, as shown in Figure 31, or can be used as an active HIGH enable pull up. The start-up logic waveforms shown in Figure 32 illustrate the expected behavior when applying a PWM input signal to the IN- input while the IN+ input is pulled HIGH to V5V. In this example, the PWM signal is applied prior to the application of VDD. When VDD is greater than 7.5 V, the NCP51705 internal charge pump is enabled and begins switching. The output is only enabled when VDD is greater than the set UVLO ON level (VON) and VEE is less than 80% of the programmed voltage level. The output begins switching corresponding to the next PWM falling edge after both UVLO thresholds have been crossed. This method of edge detection, assures the output accurately represents the PWM input while preventing the output from possibly switching in the middle of an IN-, PWM pulse off-time.

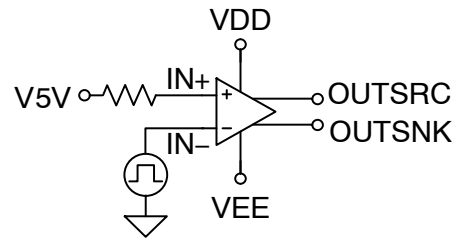


Figure 31. Inverting input configuration

Table 2. Inverting logic, IN-, truth table

IN+ (V5V)	IN- (PWM)	OUTSRC	OUTSNK
1	0	1	0
1	1	0	1

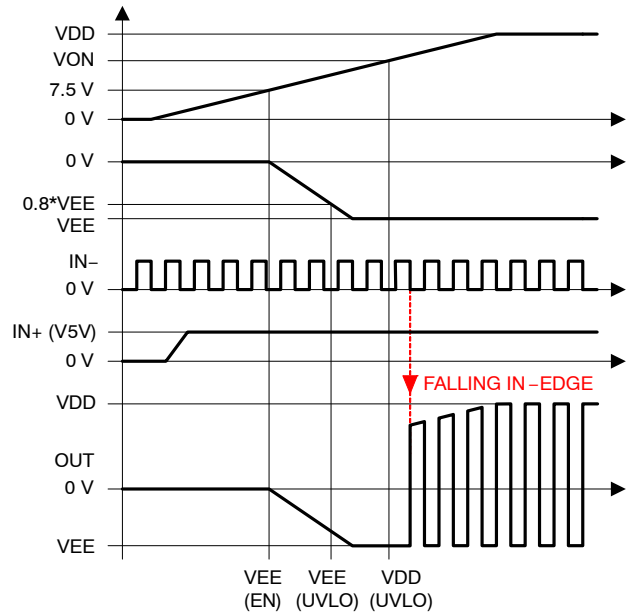


Figure 32. Inverting start-up logic

#### Driver State Reporting (XEN)

The XEN signal is a 5 V digital output representation of the output state of the NCP51705 driver. XEN is directly derived from the output of the driver and should not be considered as the inverse of the non-inverting logic input to the driver, IN+. The output of the NCP51705 driver can be commanded to its OFF state while the input signal is still HIGH by any of the protection functions of the driver. In such instances, XEN will accurately represent that the driver is OFF, independent of the input signal to the device.

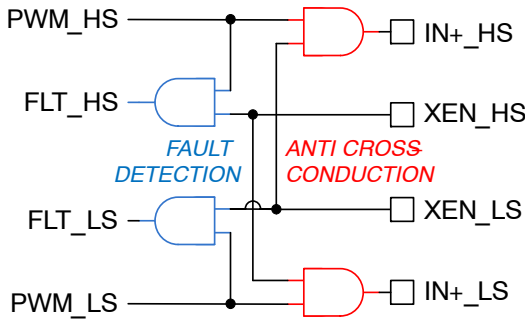
The propagation delay from IN to XEN is related with TON and TOFF as shown in Table 3. TON and TOFF are typical 25 ns with 1 nF load.

**Table 3. XEN DELAY**

Item	Timing Definition	Typical XEN Delay
ON Delay (IN to XEN)	IN+ rising ( $V_{IH}$ ) to XEN falling (90%)	$= T_{ON}$
	IN- falling ( $V_{IL}$ ) to XEN falling (90%)	$= T_{ON}$
OFF Delay (IN to XEN)	IN+ falling ( $V_{IH}$ ) to XEN rising (10%)	$= T_{OFF} + 40 \text{ ns}$
	IN- rising ( $V_{IH}$ ) to XEN rising (10%)	$= T_{OFF} + 40 \text{ ns}$

The intent of this signal is that it can be used as a fault flag and in half-bridge power topologies, can provide a synchronization signal for implementing cross-conduction (overlap) protection for the power transistors.

Whenever XEN is HIGH,  $V_{GS}$  is LOW and the SiC MOSFET is OFF. Therefore, if XEN and the PWM input signals are both HIGH, a fault condition is detected and can be digitally assigned to take whatever precautions might be desired. XEN can also be used as a control signal for cross-conduction prevention between a high-side and low-side switch used in a half or full-bridge configuration. The schematic diagram shown in Figure 33 illustrates a circuit example how to utilize the XEN signals for fault detection and cross-conduction prevention. As can be seen in this implementation, the functions are independent and it is up to the designer to decide whether any one or both functions are needed to be implemented in the system.



**Figure 33. Examples of XEN signal usage**

If XEN\_HS transitions from LOW to HIGH while PWM\_HS is HIGH, the PWM pulse width had been terminated early by one of the protection functions of the NCP51705. The protection function are; any of the Under Voltage Lock-Out (UVLO) protections, Thermal Shut Down (TSD), and Desaturation Detection (DESAT). As Figure 33 indicates a FAULT signal can be generated by a simple AND connection of the PWM input signal and the corresponding XEN output.

In case of cross-conduction prevention, the XEN signal of one driver is used to enable the operation of the other driver as depicted in a simplified manner in Figure 33. The isolation for the high side driver is not shown in the simplified schematic of Figure 33 but the operation of the system can be easily followed. While the high-side driver is

ON, XEN\_HS is LOW preventing any gate drive to be applied to the low-side driver. Once the high-side driver turns OFF its XEN\_HS signal transitions to HIGH and the PWM\_LS signal can pass through to the low-side driver. An identical sequence exists to ensure that the high-side driver cannot be turned ON until the low-side driver is OFF.

**Signal Ground (SGND) and Power Ground (PGND)**

Signal ground connection (SGND) is the GND for all control logic biased from the 5 V rail (V5V). Internally, the SGND and PGND pins are tied together by two anti-parallel diodes to limit ground bounce difference due to bond wire inductances during the switching actions of the high-current gate drive circuits. It is recommended to connect the SGND and PGND pins together with a short, low-impedance trace on the PCB.

PGND is the reference potential (0 V) for the high-current gate-drive circuit. Two bypass capacitors should be connected between the VDD pin and the PGND pin. One is the VDD energy storage capacitor, which provides bias power during startup until the bootstrap power supply comes up. The value of the energy storage capacitor is a strong function of the gate charge requirement of the SiC MOSFET. It is recommended to use a minimum of 1  $\mu\text{F}$  to ensure proper operation but the value is primarily dictated by the biasing scheme and startup time of the system. The second capacitor shall be a good-quality ceramic bypass capacitor, located as close as possible to the PGND and VDD pins to filter the high peak currents of the gate driver source circuit. A ceramic bypass capacitor in the range of 10 nF to 100 nF is recommended.

Similarly, two bypass capacitors should be connected between the VEE pin and the PGND pin. One is the VEE energy storage capacitor, which smoothes the ripple voltage seen at output of the internal charge pump power stage. It is recommended to use a minimum of 470 nF to ensure accurate DC regulation. The second capacitor shall be a good-quality ceramic bypass capacitor, located as close as possible to the PGND and VEE pins to filter the high peak currents of the gate driver sink circuit. A ceramic bypass capacitor in the range of 10 nF to 100 nF is recommended.

Note that the exposed metal pad beneath the IC is thermally conductive but electrically not always connected to GND potential. **Do not connect this pad to SGND or PGND.**

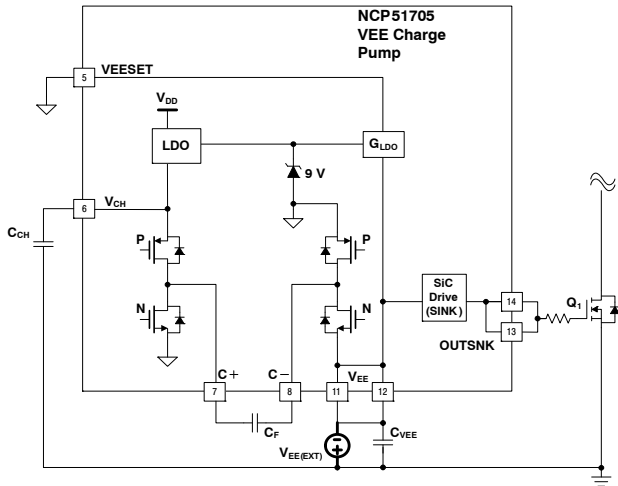
**Programmable VEE Voltage (VEESET)**

$V_{EE}$  is regulated to the voltage set at  $V_{CH}$  which is determined by the internal low dropout regulator (LDO) voltage, programmable by the VEESET pin. The NCP51705 offers several convenient pin strapping options for VEESET. If VEESET is left floating (a 100 pF bypass capacitor from VEESET to SGND is recommended), then  $V_{EE}$  is set to regulate at -3 V. For a -5 V  $V_{EE}$  voltage, the VEESET pin should be connected directly to V5V (pin 23). If VEESET is connected to any voltage between 9 V and  $V_{DD}$ , then  $V_{EE}$  is clamped and set to regulate at the

minimum charge pump voltage of  $-8\text{ V}$ . The charge pump starts when  $V_{DD} > 7.5\text{ V}$ . Additionally, the  $V_{EE}$  voltage rail includes an internally fixed under-voltage lockout (UVLO) set to 80% of the programmed  $V_{EE}$  value. Since  $V_{DD}$  and  $V_{EE}$  are each monitored by independent UVLO circuits, the NCP51705 is smart enough to realize when both voltage rails are within limits deemed safe for switching a given SiC MOSFET.

Some SiC MOSFETs can operate between  $0\text{ V}$  and  $V_{DD}$ . For these applications,  $0\text{ V} < \text{OUT} < V_{DD}$  switching can be achieved by disabling the charge pump entirely. When VEESET is connected to SGND and VEE is connected to PGND, the charge pump is disabled. With the charge pump disabled and  $V_{EE}$  tied directly to PGND, the output switches between  $0\text{ V} < \text{OUT} < V_{DD}$ . During this mode of operation the internal  $V_{EE}$  UVLO function is also disabled accordingly.

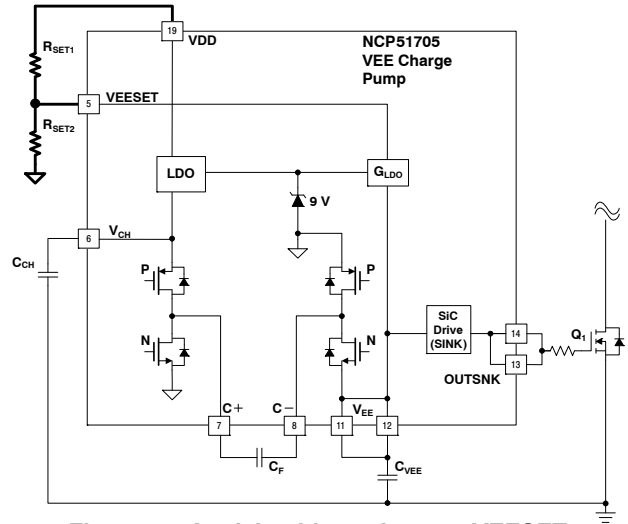
Another configuration is to disable the charge pump but allow the use of an external negative  $V_{EE}$  voltage rail. This option permits  $-V_{EE} < \text{OUT} < V_{DD}$  switching with a slight savings in IC power dissipation, since the charge pump is not switching. With VEESET connected to SGND, an external negative voltage rail,  $V_{EE(\text{EXT})}$ , can be connected directly between VEE and PGND as shown in (bold highlight) Figure 34.  $V_{EE(\text{EXT})}$  can be supplied from a dedicated bias winding, LDO or an external negative DC power converter. When using an external  $V_{EE(\text{EXT})}$  bias, be mindful that since VEESET is  $0\text{ V}$ , the internal  $V_{EE}$  UVLO is disabled and therefore the NCP51705 is unaware if the  $V_{EE}$  voltage level is within or outside of the expected range.



**Figure 34. Supplying VEE with negative external voltage bias**

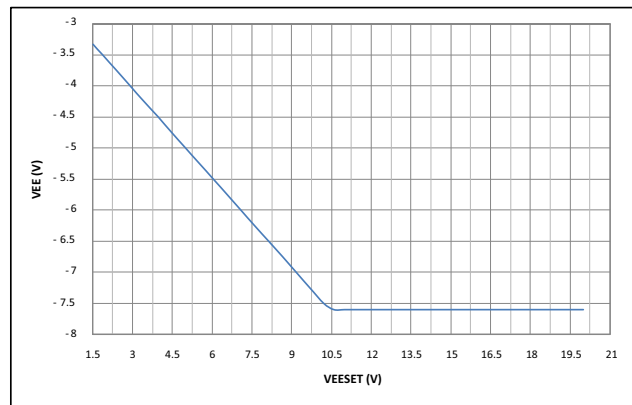
If none of the pin strapping options provide the desired  $V_{EE}$  negative bias voltage, the VEESET pin can be

programmed using an external voltage bias. An external LDO from  $V_{DD}$  or a simple resistive divider connected between  $V_{DD}$  and SGND can be used as shown in (bold highlight) Figure 35.



**Figure 35. Applying bias voltage to VEESET**

The VEE voltage can be programmed from  $-3.4\text{ V} < V_{EE} < -7.6\text{ V}$  for a range of VEESET bias voltage between  $1.5\text{ V} < V_{EESET} < 10.5\text{ V}$ . The absolute minimum programmable VEE voltage is  $-3\text{ V}$  and can be set by applying  $1\text{ V}$  to VEESET, or by simply leaving the VEESET pin floating. For any VEESET voltage greater than  $10.5\text{ V}$ , up to  $V_{DD}$ , the VEE voltage rail is clamped to an absolute maximum programmable voltage of  $-7.6\text{ V}$ . The range of programmable VEE negative voltage versus VEESET bias voltage is shown graphically in Figure 36.



**Figure 36. VEE versus VEESET bias voltage**

The configurability of the VEESET pin is summarized in Table 4

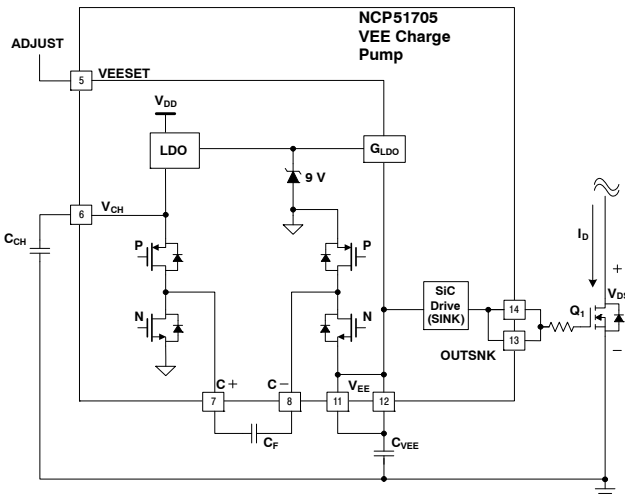


**Table 4. Summary of VEESET Pin Configuration**

VEESET	COMMENT	V <sub>EE</sub>	V <sub>EE(UVLO)</sub>
V <sub>DD</sub>	10.5 V < V <sub>EESET</sub> < V <sub>DD</sub>	-8 V	-6.4 V
V5V		-5 V	-4 V
OPEN	Add C <sub>V<sub>EE</sub></sub> ≤ 100 pF from VEESET to SGND	-3.4 V	-2.72 V
SGND	Remove C <sub>V<sub>EE</sub></sub> and connect V <sub>EE</sub> to PGND	0 V	NA
SGND	Connect V <sub>EE</sub> to external negative voltage supply	-V <sub>EXT</sub>	NA
Resistor divider	Resistor divider from V <sub>DD</sub> to SGND	Variable	NA

**Charge Pump Configuration (V<sub>CH</sub>, C<sub>+</sub>, C<sub>-</sub> and V<sub>EE</sub>)**

As can be seen from the charge pump functional block diagram shown in Figure 37, only three external capacitors (C<sub>CH</sub>, C<sub>F</sub> and C<sub>V<sub>EE</sub></sub>) are required to establish the negative V<sub>EE</sub> voltage rail. The charge pump power stage essentially consists of two PMOS and two NMOS switches arranged in a bridge configuration.



**Figure 37. NCP51705 V<sub>EE</sub> Charge Pump**

An external flying capacitor, C<sub>F</sub>, is connected between the midpoints of each leg of the bridge as shown. The switching frequency is internally set at 390 kHz. The V<sub>EE</sub> output is seen at the VEE pin and is released after V<sub>DD</sub> > 7 V. Once V<sub>EE</sub> exceeds 80% of the set amplitude, the VEE Under Voltage Lock Out no longer prevents switching.

**Output (OUTSNK and OUTSRC)**

The NCP51705 output is driven by a pure MOS, low-impedance totem pole output stage to ensure full V<sub>EE</sub> to V<sub>DD</sub>, rail-to-rail switching. The output slew rate is determined primarily by V<sub>DD</sub>, V<sub>EE</sub> and the C<sub>iss</sub> of the SiC MOSFET. The turn-on (OUTSRC) and turn-off (OUTSNK) functions each have dual dedicated pins. This allows a single resistor between each pin and the SiC

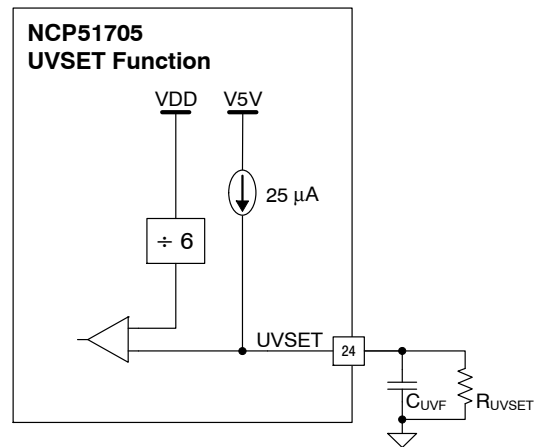
MOSFET gate to independently control gate ringing as well as fine tuning dV<sub>DS</sub>/dT turn-on and turn-off transitions present on the SiC drain-source voltage. The driver provides the high peak currents necessary for high-speed switching, even at the higher Miller plateau voltage typical of SiC MOSFETs. The outputs of the NCP51705 (OUTSRC, OUTSNK) are rated to 6 A peak current capability.

**Programmable Under-Voltage Lockout (UVSET)**

UVLO for a gate driver IC is important for protecting the MOSFET by disabling the output until V<sub>DD</sub> is above a known threshold. This not only protects the load but verifies to the controller that the applied V<sub>DD</sub> voltage is above the turn-on threshold. Because the on-resistance of a SiC MOSFET has a strong dependency on V<sub>GS</sub> (and therefore V<sub>DD</sub>), allowing the driver output to switch at low V<sub>DD</sub> can be detrimental for one SiC MOSFET but may be acceptable for another depending on heat-sinking, cooling and V<sub>DD</sub> start-up time. The optimal UVLO turn-on threshold can also vary depending on how the V<sub>DD</sub> voltage rail is derived. Some power systems may have a dedicated, housekeeping, bias supply while others might rely on a V<sub>DD</sub> bootstrapping technique.

The NCP51705 addresses this need through a programmable UVLO turn-on threshold that can be set with a single resistor between UVSET and SGND. As shown in Figure 38, the UVSET pin is internally driven by a 25 μA current source. The UVSET resistor, R<sub>UVSET</sub>, is chosen according to a desired UVLO turn-on voltage, V<sub>ON</sub>, as defined by:

$$R_{UVSET} = \frac{V_{ON}}{6 \times 25 \mu A} \quad (\text{eq. 1})$$



**Figure 38. NCP51705 UVSET Programmable UVLO**

The value for V<sub>ON</sub> is typically determined by referencing the SiC MOSFET voltage versus current, output characteristic curves. Because the on-resistance of a SiC MOSFET dramatically increases even for a slight decrease in V<sub>GS</sub>, the allowable UVLO hysteresis must be small. For this reason, the NCP51705 has a fixed 1 V hysteresis so that the turn-off voltage, V<sub>OFF</sub>, is always 1 V less than the set



## NCP51705

### 5 V Bias (V5V)

This is the bypass capacitor pin for the internal 5 V bias rail powering the control circuitry. The recommended capacitor value is 2.2  $\mu\text{F}$ . At least a 1  $\mu\text{F}$ , good-quality, high-frequency, ceramic capacitor should be placed in close proximity to the pin. A smaller ceramic capacitor value such as 100 nF will assure stability but may result in a 500 mV

overshoot on the 5 V rail during start-up. The 5 V rail starts to rise approximately 30  $\mu\text{s}$  after  $V_{\text{DD}}$  is applied. Once the 7 V threshold is exceeded at the VDD pin, the 5 V rail is enabled. The V5V pin can source up to 10 mA making it suitable for use as a low power bias supply for housekeeping circuits such as open collector pull-up, optocoupler or digital isolator bias.

# NCP51705

## Applications Information – High-Side Gate Drive Example

Many high-voltage switching applications use power topologies that include high-side, low-side gate drive schemes. Some well known examples include converter topologies such as: LLC, half-bridge and full-bridge. The NCP51705 can be applied in half-bridge (or full-bridge) power topologies such as the one shown in Figure 40. High-voltage applications tend to prefer isolated drivers for both, the high-side and low-side gate drive. This implies the need for two digital isolators. In addition to providing electrical safety and galvanic isolation, the digital isolator assigned to the high-side gate driver, serves the dual purpose of level shifting the IN+ PWM input signal. Since the low-side drive is ground referenced, the digital isolator

dedicated to the low-side gate drive is not level shifted and therefore only serves the purpose of electrical safety and galvanic isolation. In this simplified example, IN+ (non-inverting PWM logic) and IN- (active enable) are the only two signals sourced from the digital controller and XEN is read back from the NCP51705. XEN can be used as the timing information basis for developing gate drive timing, cross conduction prevention, dead-time adjustment and fault detection. The V5V from the NCP51705 can be used to power the secondary side of each digital isolator as shown Figure 40.

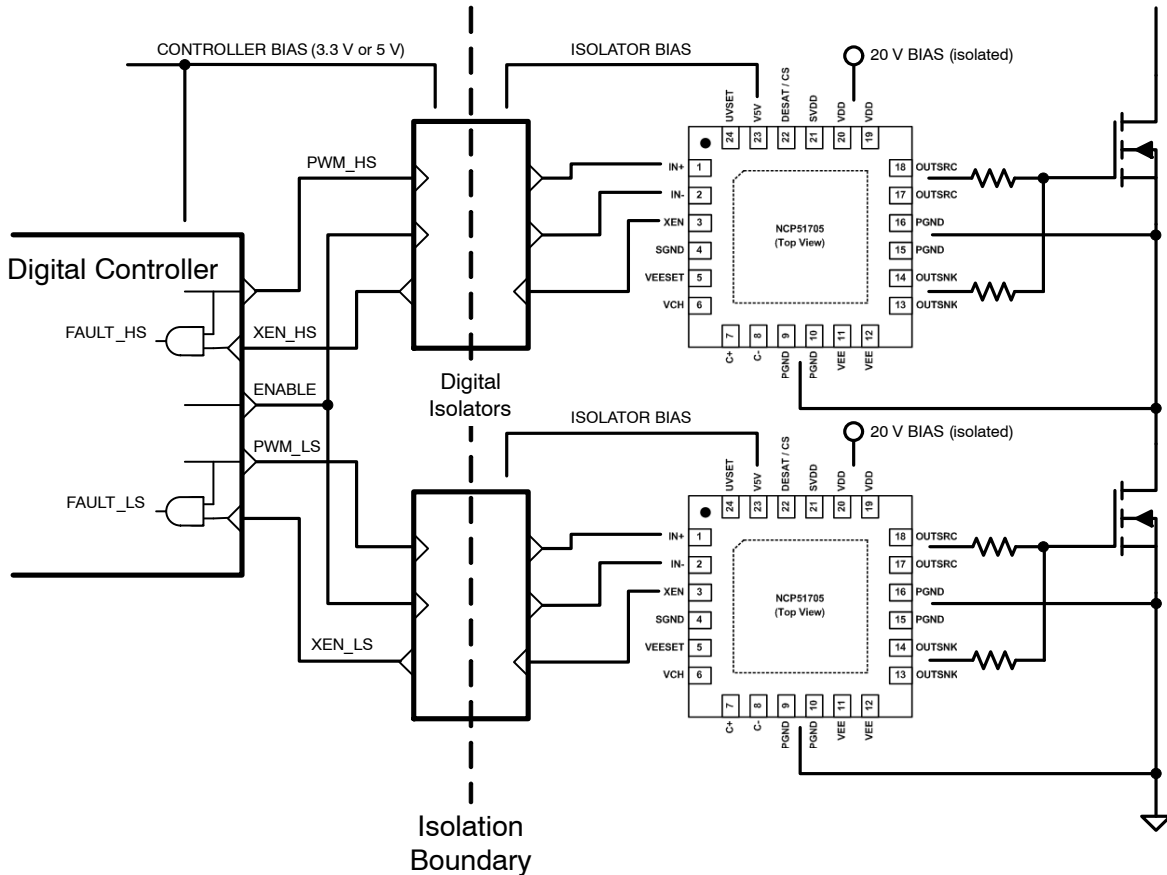
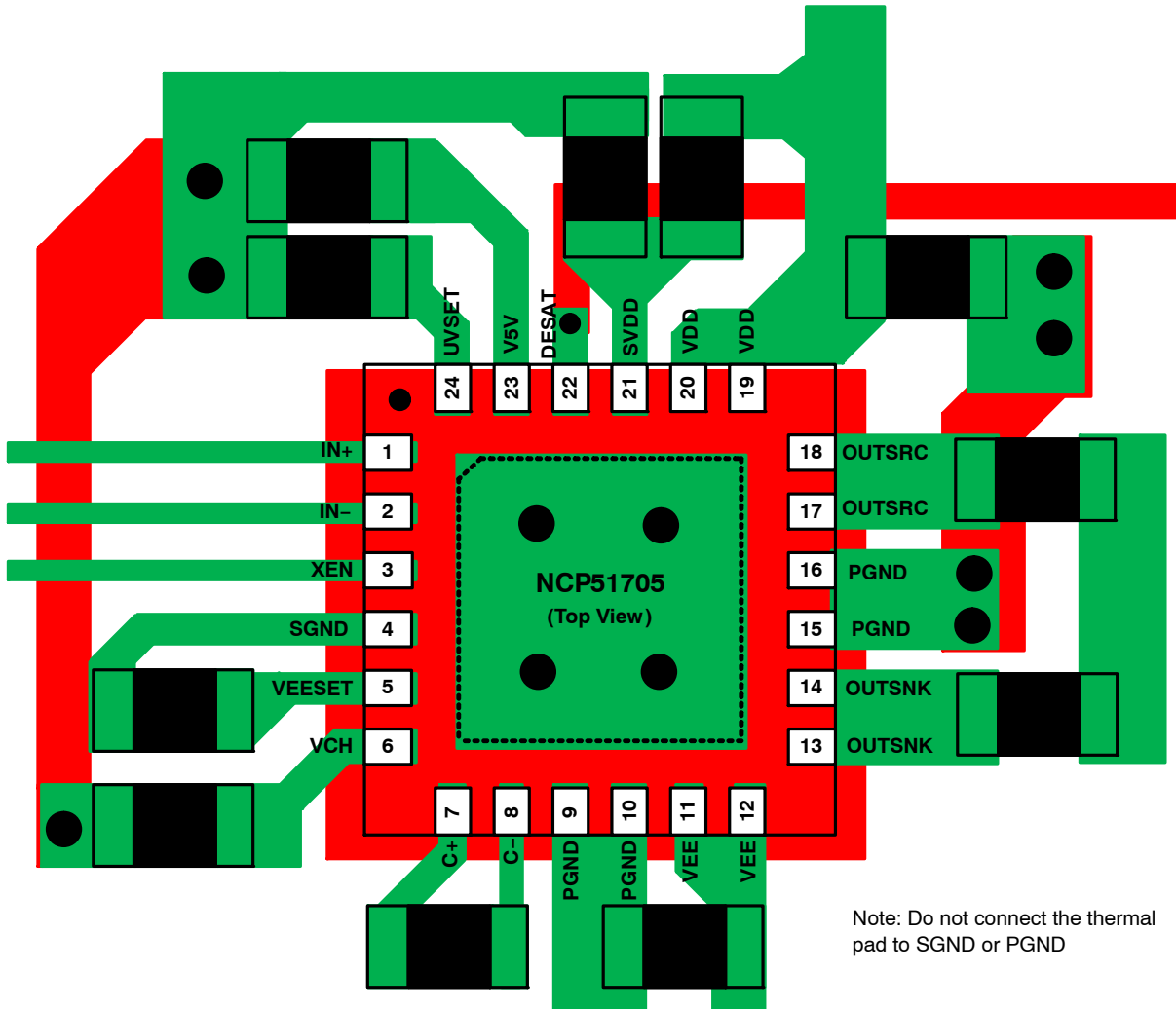


Figure 40. NCP51705 Half-Bridge Gate Drive

## PCB Guideline



**Figure 41. Recommend PCB drawing**

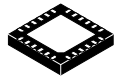
First of all, to optimize operation of SiC gate driving should be minimize influence of the parasitic inductance and capacitance on the layout. The following should be considered before beginning a PCB layout using the NCP51705.

- The SiC driver should be locate as close as possible to the SiC MOSFET.
- VDD, SVDD, V5V, Charge Pump and VEE capacitor should be locate as close as possible to the device.
- When the VEESET = GND, the VEE should be as close as possible to the PGND trace.
- Driver input and DESAT should not going close to the high dV/dT traces. It can cause abnormal operation by significant noise.
- If the device operates in the high temperature condition, use thermal via distribution from exposed pad to the other layer to make the thermal resistance as low as possible. In this case, do not connect the thermal pad to SGND or PGND.
- Use wide traces for OUTSRC, OUTSNK and VEE related with main gate driving path.

# MECHANICAL CASE OUTLINE

## PACKAGE DIMENSIONS

ON Semiconductor®



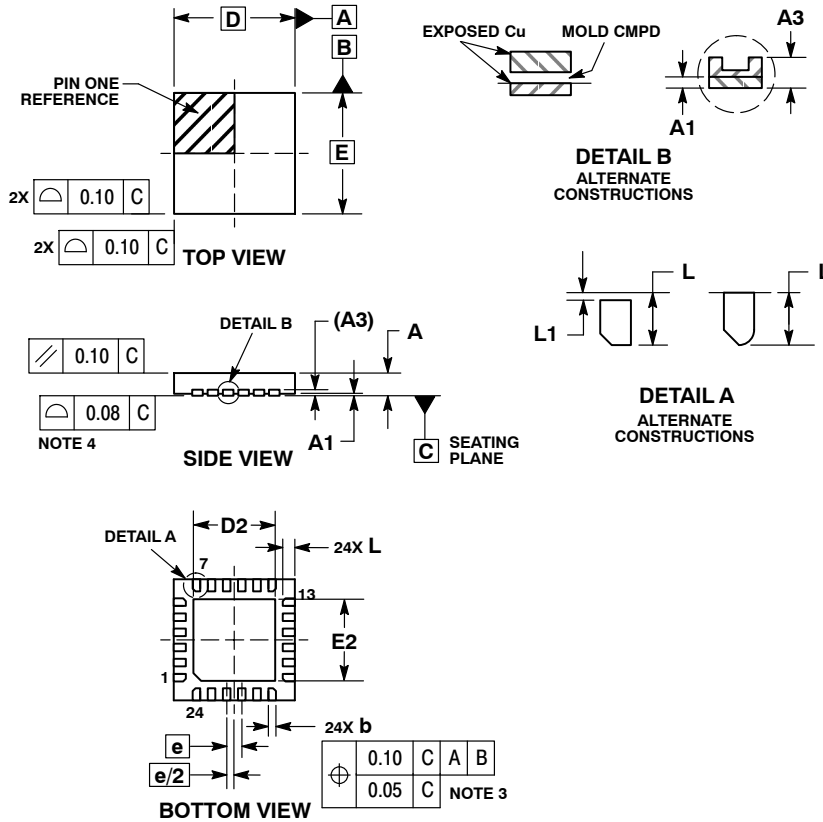
SCALE 2:1

### WQFN24, 4x4, 0.5P

#### CASE 510BE

#### ISSUE O

DATE 02 OCT 2013

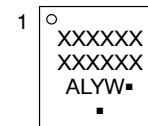


**NOTES:**

1. DIMENSIONING AND TOLERANCING PER ASME Y14.5M, 1994.
2. CONTROLLING DIMENSION: MILLIMETERS.
3. DIMENSION b APPLIES TO PLATED TERMINAL AND IS MEASURED BETWEEN 0.25 AND 0.30 MM FROM THE TERMINAL TIP.
4. COPLANARITY APPLIES TO THE EXPOSED PAD AS WELL AS THE TERMINALS.

DIM	MILLIMETERS	
	MIN	MAX
A	0.70	0.80
A1	0.00	0.05
A3	0.20	REF
b	0.20	0.30
D	4.00	BSC
D2	2.60	2.80
E	4.00	BSC
E2	2.60	2.80
e	0.50	BSC
L	0.35	0.45
L1	0.00	0.15

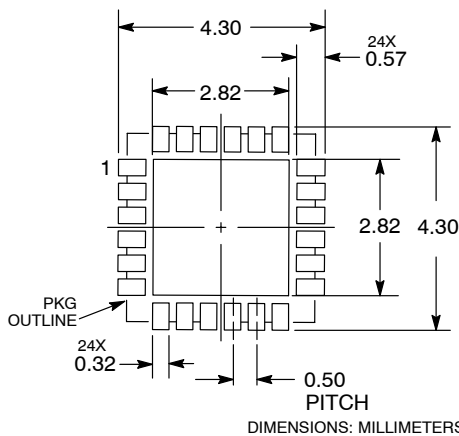
### GENERIC MARKING DIAGRAM\*



- XXXXXX= Specific Device Code
- A = Assembly Location
- L = Wafer Lot
- Y = Year
- W = Work Week
- = Pb-Free Package

(Note: Microdot may be in either location)  
 \*This information is generic. Please refer to device data sheet for actual part marking.  
 Pb-Free indicator, "G" or microdot "▪", may or may not be present.

### SOLDERING FOOTPRINT\*



\*For additional information on our Pb-Free strategy and soldering details, please download the ON Semiconductor Soldering and Mounting Techniques Reference Manual, SOLDERRM/D.

<b>DOCUMENT NUMBER:</b>	<b>98AON78470F</b>	Electronic versions are uncontrolled except when accessed directly from the Document Repository. Printed versions are uncontrolled except when stamped "CONTROLLED COPY" in red.
<b>DESCRIPTION:</b>	<b>WQFN24, 4X4, 0.5P</b>	<b>PAGE 1 OF 1</b>

ON Semiconductor and ON are trademarks of Semiconductor Components Industries, LLC dba ON Semiconductor or its subsidiaries in the United States and/or other countries. ON Semiconductor reserves the right to make changes without further notice to any products herein. ON Semiconductor makes no warranty, representation or guarantee regarding the suitability of its products for any particular purpose, nor does ON Semiconductor assume any liability arising out of the application or use of any product or circuit, and specifically disclaims any and all liability, including without limitation special, consequential or incidental damages. ON Semiconductor does not convey any license under its patent rights nor the rights of others.

**onsemi**, **Onsemi**, and other names, marks, and brands are registered and/or common law trademarks of Semiconductor Components Industries, LLC dba "**onsemi**" or its affiliates and/or subsidiaries in the United States and/or other countries. **onsemi** owns the rights to a number of patents, trademarks, copyrights, trade secrets, and other intellectual property. A listing of **onsemi**'s product/patent coverage may be accessed at [www.onsemi.com/site/pdf/Patent-Marking.pdf](http://www.onsemi.com/site/pdf/Patent-Marking.pdf). **onsemi** reserves the right to make changes at any time to any products or information herein, without notice. The information herein is provided "as-is" and **onsemi** makes no warranty, representation or guarantee regarding the accuracy of the information, product features, availability, functionality, or suitability of its products for any particular purpose, nor does **onsemi** assume any liability arising out of the application or use of any product or circuit, and specifically disclaims any and all liability, including without limitation special, consequential or incidental damages. Buyer is responsible for its products and applications using **onsemi** products, including compliance with all laws, regulations and safety requirements or standards, regardless of any support or applications information provided by **onsemi**. "Typical" parameters which may be provided in **onsemi** data sheets and/or specifications can and do vary in different applications and actual performance may vary over time. All operating parameters, including "Typicals" must be validated for each customer application by customer's technical experts. **onsemi** does not convey any license under any of its intellectual property rights nor the rights of others. **onsemi** products are not designed, intended, or authorized for use as a critical component in life support systems or any FDA Class 3 medical devices or medical devices with a same or similar classification in a foreign jurisdiction or any devices intended for implantation in the human body. Should Buyer purchase or use **onsemi** products for any such unintended or unauthorized application, Buyer shall indemnify and hold **onsemi** and its officers, employees, subsidiaries, affiliates, and distributors harmless against all claims, costs, damages, and expenses, and reasonable attorney fees arising out of, directly or indirectly, any claim of personal injury or death associated with such unintended or unauthorized use, even if such claim alleges that **onsemi** was negligent regarding the design or manufacture of the part. **onsemi** is an Equal Opportunity/Affirmative Action Employer. This literature is subject to all applicable copyright laws and is not for resale in any manner.

## ADDITIONAL INFORMATION

### TECHNICAL PUBLICATIONS:

Technical Library: [www.onsemi.com/design/resources/technical-documentation](http://www.onsemi.com/design/resources/technical-documentation)  
onsemi Website: [www.onsemi.com](http://www.onsemi.com)

### ONLINE SUPPORT: [www.onsemi.com/support](http://www.onsemi.com/support)

For additional information, please contact your local Sales Representative at [www.onsemi.com/support/sales](http://www.onsemi.com/support/sales)

