

Subminiature Plastic Infrared Emitting Diode

QEB363

Features

- T-3/4 (2 mm) Surface Mount Package
- Lead Form Options: Gullwing, Yoke, Z-Bend
- Narrow Emission Angle, 24°
- Wavelength = 940 nm, GaAs
- Clear Water Lens
- Matched Photosensor: QSB363
- High Radiant Intensity
- This is a Pb-Free and Halide Free Device

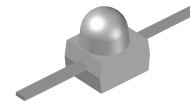
MAXIMUM RATINGS (T_A = 25°C unless otherwise noted)

| Symbol | Parameter | Value | Unit |
|--------------------|---|--------------|------|
| T _{OPR} | Operating Temperature | -40 to +100 | °C |
| T _{STG} | Storage Temperature | -40 to +100 | °C |
| T _{SOL-I} | Soldering Temperature (Iron) (Notes 2, 3, 4) | 240 for 5 s | °C |
| T _{SOL-F} | Soldering Temperature (Flow) (Notes 2, 3) | 260 for 10 s | °C |
| I _F | Continuous Forward Current | 50 | mA |
| V _R | Reverse Voltage | 5 | V |
| P _D | Power Dissipation (Note 1) | 100 | mW |

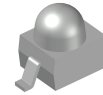
Stresses exceeding those listed in the Maximum Ratings table may damage the device. If any of these limits are exceeded, device functionality should not be assumed, damage may occur and reliability may be affected.

NOTES:

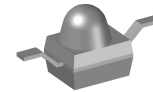
1. Derate power dissipation linearly 1.33 mW/°C above 25°C.
2. RMA flux is recommended.
3. Methanol or isopropyl alcohols are recommended as cleaning agents.
4. Soldering iron 1/16" (1.6 mm) minimum from housing.



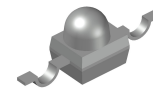
T-3/4, 2.50 × 2.00
CASE 100CA



T-3/4, 2.50 × 2.00
CASE 100CV

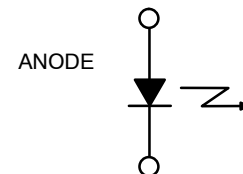


T-3/4, 2.50 × 2.00
CASE 100CW



T-3/4 2.50 × 2.00
CASE 100ED

SCHEMATIC



ORDERING INFORMATION

See detailed ordering and shipping information on page 3 of this data sheet.

ELECTRICAL CHARACTERISTICS (T_A = 25°C)

| Symbol | Parameter | Test Conditions | Min | Typ | Max | Unit |
|----------------|--------------------------|---|-----|-----|-----|-------|
| λ _P | Peak Emission Wavelength | I _F = 100 mA | - | 940 | - | nm |
| Θ | Emission Angle | I _F = 100 mA | - | ±12 | - | ° |
| V _F | Forward Voltage | I _F = 100 mA, t _p = 20 ms | - | - | 1.6 | V |
| I _R | Reverse Current | V _R = 5 V | - | - | 100 | μA |
| I _e | Radiant Intensity | I _F = 100 mA, t _p = 20 ms | 8 | - | - | mW/sr |
| t _r | Rise Time | I _F = 100 mA | - | 1 | - | μs |
| t _f | Fall Time | t _p = 20 ms | - | 1 | - | μs |

Product parametric performance is indicated in the Electrical Characteristics for the listed test conditions, unless otherwise noted. Product performance may not be indicated by the Electrical Characteristics if operated under different conditions.

TYPICAL PERFORMANCE CURVES

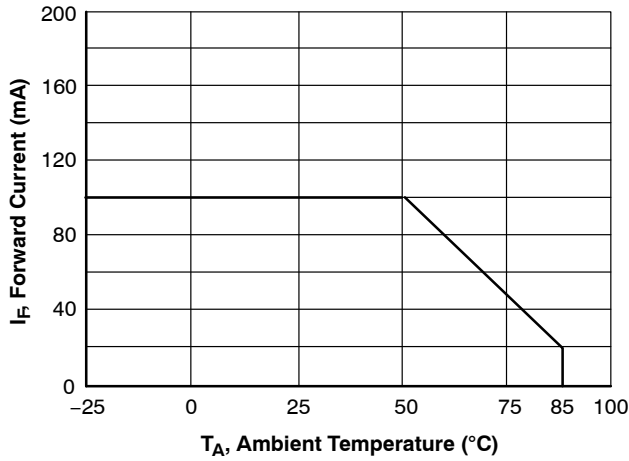


Figure 1. Maximum Forward Current vs. Temperature

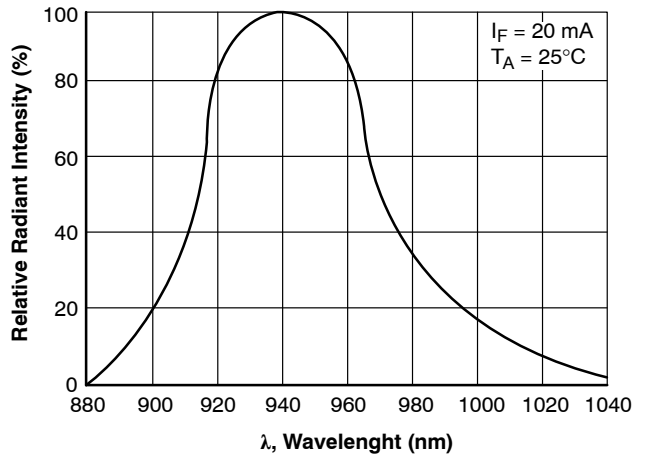


Figure 2. Relative Radiant Intensity vs. Wavelength

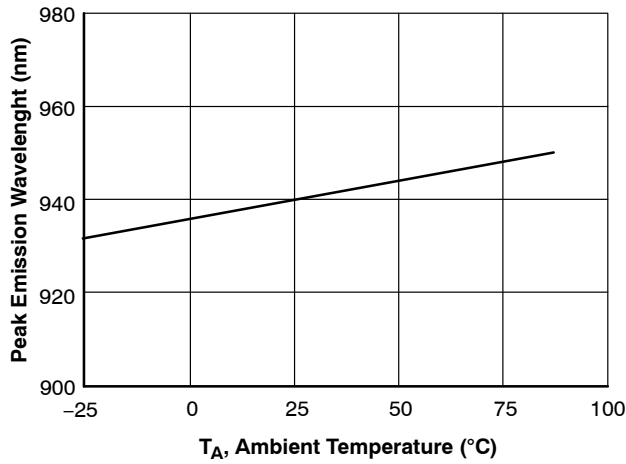


Figure 3. Peak Emission Wavelength vs. Ambient Temperature

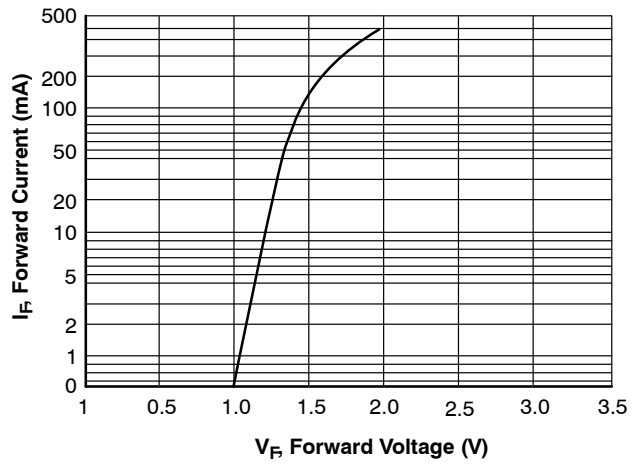


Figure 4. Forward Current vs. Forward Voltage

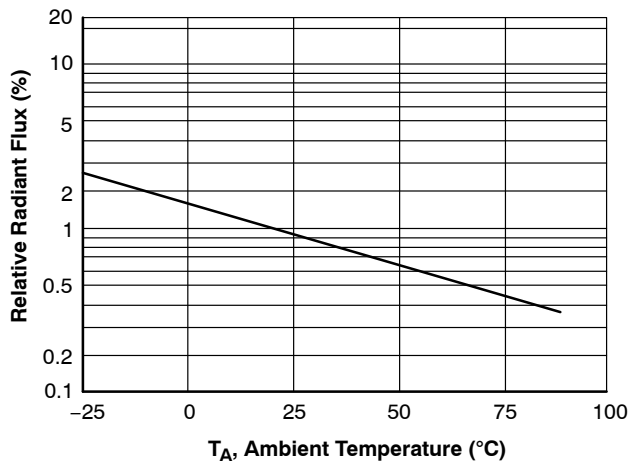


Figure 5. Transfer Characteristics

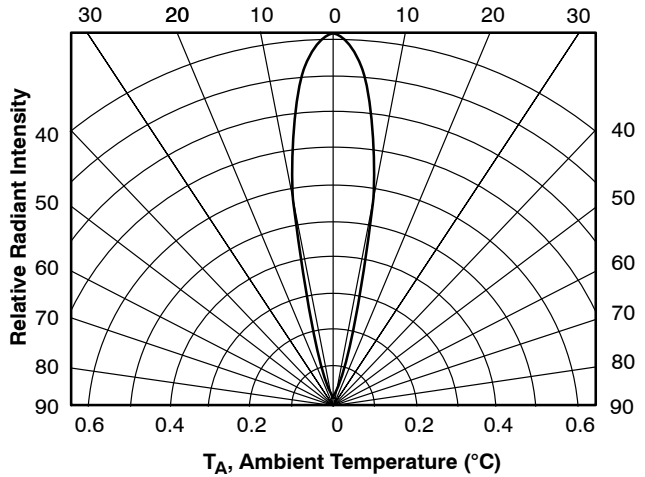


Figure 6. Relative Radiant Intensity vs. Angular Displacement

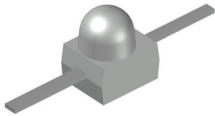
QEB363

ORDERING INFORMATION

| Part Number | Package | Shipping [†] |
|-------------|--|-----------------------|
| QEB363 | T-3/4, 2.50 × 2.00 (Case 100CA) (Pb-Free) | 1000 Units / Bulk |
| QEB363GR | T-3/4, 2.50 × 2.00 (Case 100CV) (Pb-Free) | 1000 / Tape & Reel |
| QEB363YR | T-3/4, 2.50 × 2.00 (Case 100ED) (Pb-Free) | 1000 / Tape & Reel |
| QEB363ZR | T-3/4, 2.50 × 2.00 (Case 100CW) (Pb-Free) | 1000 / Tape & Reel |

[†]For information on tape and reel specifications, including part orientation and tape sizes, please refer to our Tape and Reel Packaging Specifications Brochure, [BRD8011/D](#).

MECHANICAL CASE OUTLINE
PACKAGE DIMENSIONS

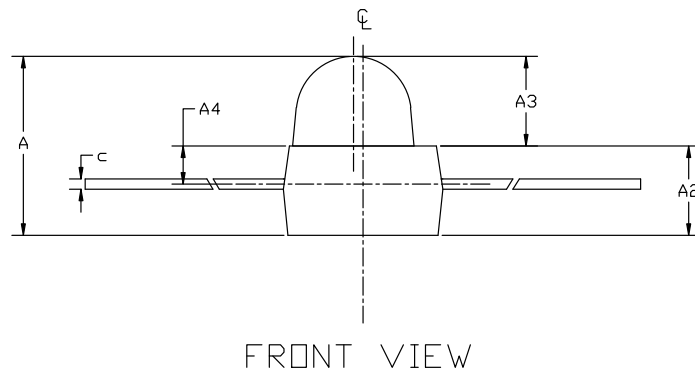
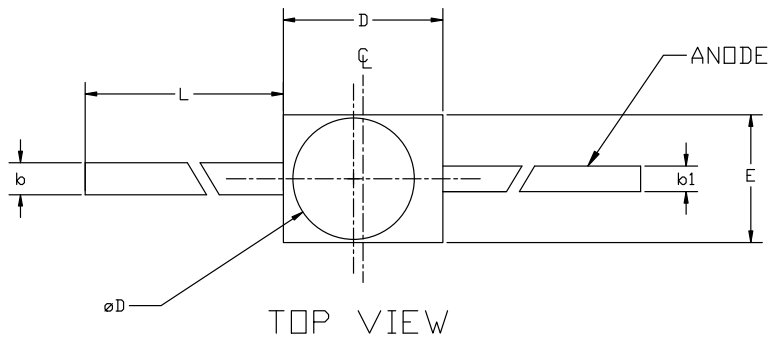


T-3/4 2.50x2.00
CASE 100CA
ISSUE A

DATE 14 SEP 2023

NOTES:

1. CONTROLLING DIMENSIONS: MILLIMETERS
2. DIMENSIONS DO NOT INCLUDE MOLD FLASH OR BURRS.
3. 2MM LED



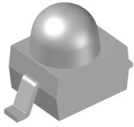
| DIM | MILLIMETERS | | |
|----------|-------------|------|------|
| | MIN. | NOM. | MAX. |
| A | 2.50 | 2.70 | 2.90 |
| A2 | 1.30 | 1.40 | 1.50 |
| A3 | 1.30 | 1.40 | 1.50 |
| A4 | 0.60 REF | | |
| b | 0.45 | 0.55 | 0.65 |
| b1 | 0.35 | 0.45 | 0.55 |
| c | 0.10 | 0.15 | 0.25 |
| D | 2.30 | 2.50 | 2.70 |
| E | 1.80 | 2.00 | 2.20 |
| L | 7.00 | --- | --- |
| ϕD | 1.70 | 1.90 | 2.10 |

| | | |
|-------------------------|------------------------|---|
| DOCUMENT NUMBER: | 98AON13436G | Electronic versions are uncontrolled except when accessed directly from the Document Repository. Printed versions are uncontrolled except when stamped "CONTROLLED COPY" in red. |
| DESCRIPTION: | T-3/4 2.50x2.00 | PAGE 1 OF 1 |

onsemi and onsemi are trademarks of Semiconductor Components Industries, LLC dba onsemi or its subsidiaries in the United States and/or other countries. onsemi reserves the right to make changes without further notice to any products herein. onsemi makes no warranty, representation or guarantee regarding the suitability of its products for any particular purpose, nor does onsemi assume any liability arising out of the application or use of any product or circuit, and specifically disclaims any and all liability, including without limitation special, consequential or incidental damages. onsemi does not convey any license under its patent rights nor the rights of others.

MECHANICAL CASE OUTLINE

PACKAGE DIMENSIONS

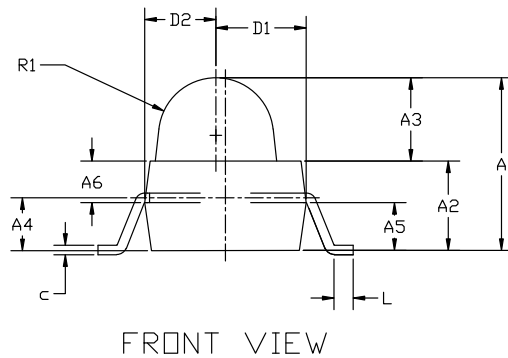
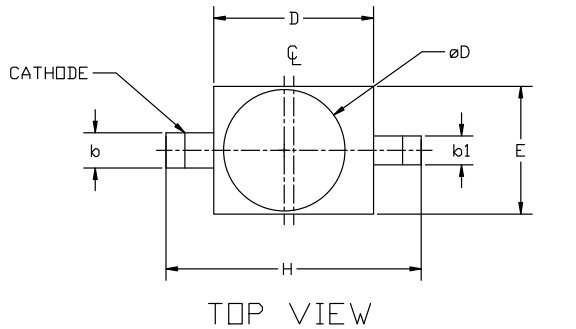


T-3/4, 2.50x2.00
CASE 100CV
ISSUE A

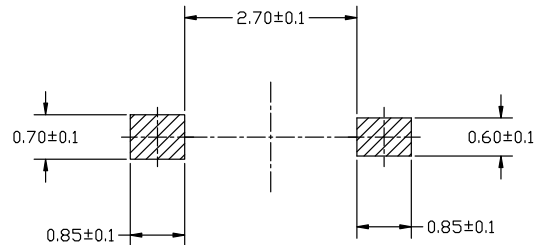
DATE 14 SEP 2023

NOTES:

1. CONTROLLING DIMENSIONS: MILLIMETERS
2. DIMENSIONS DO NOT INCLUDE MOLD FLASH OR BURRS.
3. 2MM GULLWING LED



| DIM | MILLIMETERS | | |
|-----|-------------|------|------|
| | MIN. | NOM. | MAX. |
| A | 2.50 | 2.70 | 2.90 |
| A2 | 1.30 | 1.40 | 1.50 |
| A3 | 1.20 | 1.30 | 1.40 |
| A4 | 0.75 | 0.85 | 0.95 |
| A5 | 0.65 | 0.75 | 0.85 |
| A6 | 0.55 | 0.65 | 0.75 |
| b | 0.45 | 0.55 | 0.65 |
| b1 | 0.35 | 0.45 | 0.55 |
| c | 0.10 | 0.15 | 0.20 |
| D | 2.30 | 2.50 | 2.70 |
| D1 | 1.20 | 1.40 | 1.60 |
| D2 | 0.90 | 1.10 | 1.30 |
| E | 1.80 | 2.00 | 2.20 |
| H | 3.80 | 4.00 | 4.20 |
| L | 0.20 | 0.30 | 0.40 |
| ∅D | 1.70 | 1.90 | 2.10 |
| R1 | 0.70 | 0.80 | 0.90 |



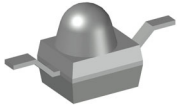
* For additional information on our Pb-Free strategy and soldering details, please download the ON Semiconductor Soldering and Mounting Techniques Reference Manual, SOLDERM/D.

| | | |
|------------------|------------------|--|
| DOCUMENT NUMBER: | 98AON17798G | Electronic versions are uncontrolled except when accessed directly from the Document Repository. Printed versions are uncontrolled except when stamped "CONTROLLED COPY" in red. |
| DESCRIPTION: | T-3/4, 2.50x2.00 | PAGE 1 OF 1 |

onsemi and ONSEMI are trademarks of Semiconductor Components Industries, LLC dba onsemi or its subsidiaries in the United States and/or other countries. onsemi reserves the right to make changes without further notice to any products herein. onsemi makes no warranty, representation or guarantee regarding the suitability of its products for any particular purpose, nor does onsemi assume any liability arising out of the application or use of any product or circuit, and specifically disclaims any and all liability, including without limitation special, consequential or incidental damages. onsemi does not convey any license under its patent rights nor the rights of others.

MECHANICAL CASE OUTLINE

PACKAGE DIMENSIONS

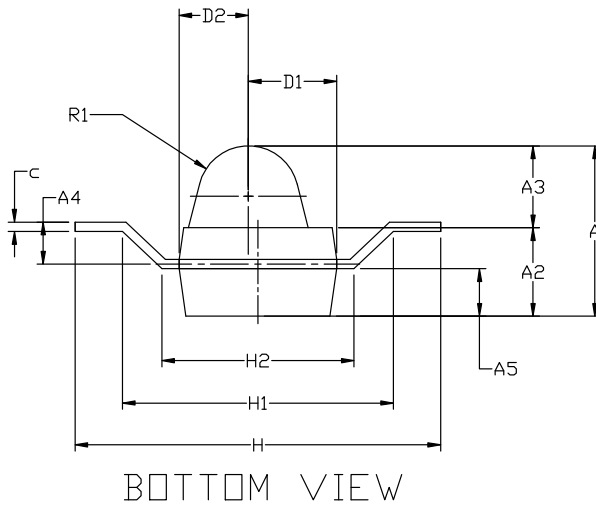
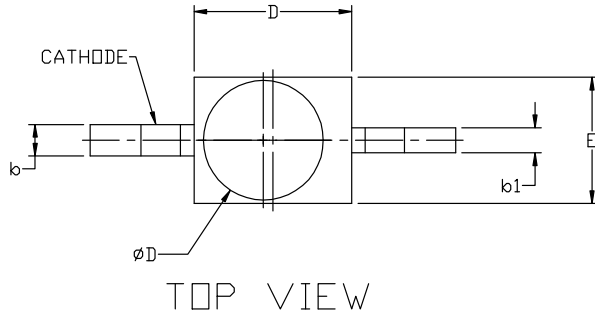


T-3/4, 2.50x2.00
CASE 100CW
ISSUE A

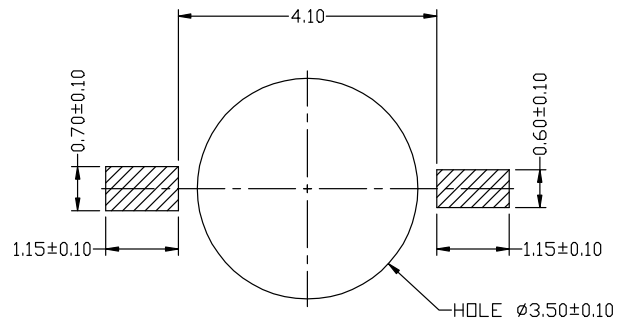
DATE 14 SEP 2023

NOTES:

1. CONTROLLING DIMENSIONS: MILLIMETERS
2. DIMENSIONS DO NOT INCLUDE MOLD FLASH OR BURRS.
3. 2MM ZBEND LED.



| DIM | MILLIMETERS | | |
|-----|-------------|-------|-------|
| | MIN. | NOM. | MAX. |
| A | 2.500 | 2.700 | 2.900 |
| A2 | 1.300 | 1.400 | 1.500 |
| A3 | 1.200 | 1.300 | 1.400 |
| A4 | 0.550 | 0.650 | 0.750 |
| A5 | 0.650 | 0.750 | 0.850 |
| b | 0.450 | 0.550 | 0.650 |
| b1 | 0.350 | 0.450 | 0.550 |
| c | 0.100 | 0.150 | 0.200 |
| D | 2.300 | 2.500 | 2.700 |
| D1 | 1.200 | 1.400 | 1.600 |
| D2 | 0.900 | 1.100 | 1.300 |
| E | 1.800 | 2.000 | 2.200 |
| H | 5.600 | 5.800 | 6.000 |
| H1 | 4.100 | 4.300 | 4.500 |
| H2 | 2.850 | 3.050 | 3.250 |
| ØD | 1.700 | 1.900 | 2.100 |
| R1 | 0.700 | 0.800 | 0.900 |



RECOMMENDED MOUNTING FOOTPRINT*

*FOR ADDITIONAL INFORMATION ON OUR Pb-FREE STRATEGY AND SOLDERING DETAILS, PLEASE DOWNLOAD THE ON SEMICONDUCTOR SOLDERING AND MOUNTING TECHNIQUES REFERENCE MANUAL, SOLDERRM/D.

| | | |
|-------------------------|-------------------------|--|
| DOCUMENT NUMBER: | 98AON17799G | Electronic versions are uncontrolled except when accessed directly from the Document Repository. Printed versions are uncontrolled except when stamped "CONTROLLED COPY" in red. |
| DESCRIPTION: | T-3/4, 2.50x2.00 | PAGE 1 OF 1 |

onsemi and ONSEMI are trademarks of Semiconductor Components Industries, LLC dba onsemi or its subsidiaries in the United States and/or other countries. onsemi reserves the right to make changes without further notice to any products herein. onsemi makes no warranty, representation or guarantee regarding the suitability of its products for any particular purpose, nor does onsemi assume any liability arising out of the application or use of any product or circuit, and specifically disclaims any and all liability, including without limitation special, consequential or incidental damages. onsemi does not convey any license under its patent rights nor the rights of others.

MECHANICAL CASE OUTLINE

PACKAGE DIMENSIONS

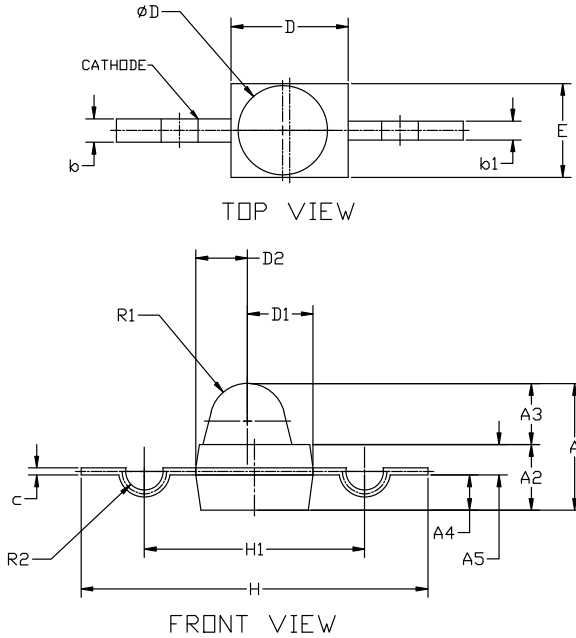


T-3/4 2.50x2.00
CASE 100ED
ISSUE O

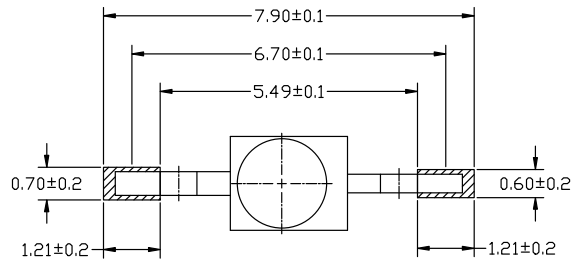
DATE 14 SEP 2023

NOTES:

1. CONTROLLING DIMENSIONS: MILLIMETERS
2. DIMENSIONS DO NOT INCLUDE MOLD FLASH OR BURRS.
3. 2MM YOKE LED



| DIM | MILLIMETERS | | |
|-----|-------------|------|------|
| | MIN. | NOM. | MAX. |
| A | 2.50 | 2.70 | 2.90 |
| A2 | 1.30 | 1.40 | 1.50 |
| A3 | 1.20 | 1.30 | 1.40 |
| A4 | 0.65 | 0.75 | 0.85 |
| b | 0.45 | 0.55 | 0.65 |
| b1 | 0.35 | 0.45 | 0.55 |
| c | 0.10 | 0.15 | 0.20 |
| D | 2.30 | 2.50 | 2.70 |
| D1 | 1.20 | 1.40 | 1.60 |
| D2 | 0.90 | 1.10 | 1.30 |
| E | 1.80 | 2.00 | 2.20 |
| H | 7.20 | 7.40 | 7.60 |
| H1 | 4.50 | 4.70 | 4.90 |
| ØD | 1.70 | 1.90 | 2.10 |
| R1 | 0.70 | 0.80 | 0.90 |
| R2 | 0.30 | 0.40 | 0.50 |



RECOMMENDED
MOUNTING FOOTPRINT

* For additional information on our Pb-Free strategy and soldering details, please download the ON Semiconductor Soldering and Mounting Techniques Reference Manual, SOLDERM/D.

| | | |
|-------------------------|------------------------|--|
| DOCUMENT NUMBER: | 98AON57115H | Electronic versions are uncontrolled except when accessed directly from the Document Repository. Printed versions are uncontrolled except when stamped "CONTROLLED COPY" in red. |
| DESCRIPTION: | T-3/4 2.50x2.00 | PAGE 1 OF 1 |

onsemi and ONSEMI are trademarks of Semiconductor Components Industries, LLC dba onsemi or its subsidiaries in the United States and/or other countries. onsemi reserves the right to make changes without further notice to any products herein. onsemi makes no warranty, representation or guarantee regarding the suitability of its products for any particular purpose, nor does onsemi assume any liability arising out of the application or use of any product or circuit, and specifically disclaims any and all liability, including without limitation special, consequential or incidental damages. onsemi does not convey any license under its patent rights nor the rights of others.

onsemi, **Onsemi**, and other names, marks, and brands are registered and/or common law trademarks of Semiconductor Components Industries, LLC dba "**onsemi**" or its affiliates and/or subsidiaries in the United States and/or other countries. **onsemi** owns the rights to a number of patents, trademarks, copyrights, trade secrets, and other intellectual property. A listing of **onsemi**'s product/patent coverage may be accessed at www.onsemi.com/site/pdf/Patent-Marking.pdf. **onsemi** reserves the right to make changes at any time to any products or information herein, without notice. The information herein is provided "as-is" and **onsemi** makes no warranty, representation or guarantee regarding the accuracy of the information, product features, availability, functionality, or suitability of its products for any particular purpose, nor does **onsemi** assume any liability arising out of the application or use of any product or circuit, and specifically disclaims any and all liability, including without limitation special, consequential or incidental damages. Buyer is responsible for its products and applications using **onsemi** products, including compliance with all laws, regulations and safety requirements or standards, regardless of any support or applications information provided by **onsemi**. "Typical" parameters which may be provided in **onsemi** data sheets and/or specifications can and do vary in different applications and actual performance may vary over time. All operating parameters, including "Typicals" must be validated for each customer application by customer's technical experts. **onsemi** does not convey any license under any of its intellectual property rights nor the rights of others. **onsemi** products are not designed, intended, or authorized for use as a critical component in life support systems or any FDA Class 3 medical devices or medical devices with a same or similar classification in a foreign jurisdiction or any devices intended for implantation in the human body. Should Buyer purchase or use **onsemi** products for any such unintended or unauthorized application, Buyer shall indemnify and hold **onsemi** and its officers, employees, subsidiaries, affiliates, and distributors harmless against all claims, costs, damages, and expenses, and reasonable attorney fees arising out of, directly or indirectly, any claim of personal injury or death associated with such unintended or unauthorized use, even if such claim alleges that **onsemi** was negligent regarding the design or manufacture of the part. **onsemi** is an Equal Opportunity/Affirmative Action Employer. This literature is subject to all applicable copyright laws and is not for resale in any manner.

ADDITIONAL INFORMATION

TECHNICAL PUBLICATIONS:

Technical Library: www.onsemi.com/design/resources/technical-documentation
onsemi Website: www.onsemi.com

ONLINE SUPPORT: www.onsemi.com/support

For additional information, please contact your local Sales Representative at www.onsemi.com/support/sales