

Bandgap Circuit

Description

The HX11BA is a bandgap circuit providing a temperature independent reference voltage and 10 additional proportional to absolute temperature (PTAT) current sources. Suitable for environments up to 125°C, the HX11BA is also designed to connect and layout about to the HX11Rx IP products.

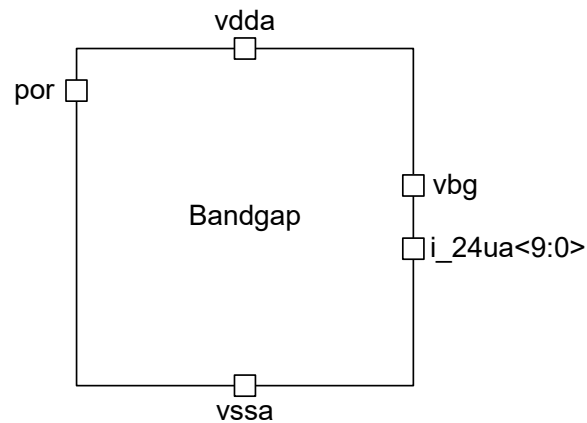
Features

- 25 ppm/°C temperature coefficient
- Ten 24uA PTAT current sources
- 3.3V analog supply
- Extended temperature range: -40°C to 125°C
- Dimensions: 130um x 280um (0.036mm²)

Applications

- General bandgap reference
- General PTAT current sources

Block Diagram



Specifications

Parameter	Conditions	Min	Typ	Max	Unit
Analog Supply Voltage	±10%	2.97	3.3	3.63	V
Temperature Range		-40	27	125	°C
Bandgap Voltage			1.21		V
Voltage Temp Co			25		ppm/°C
PTAT Current Source			24		uA

For more information about all of products, please visit our website at
www.hexiussemi.com