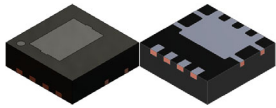


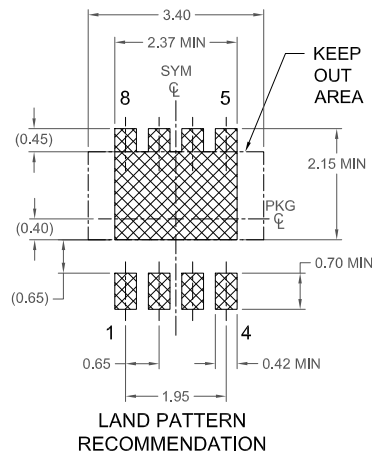
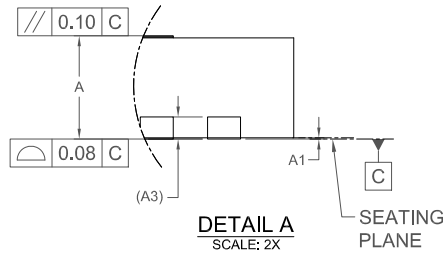
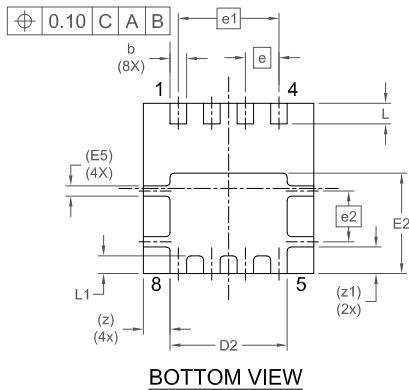
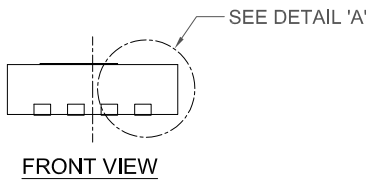
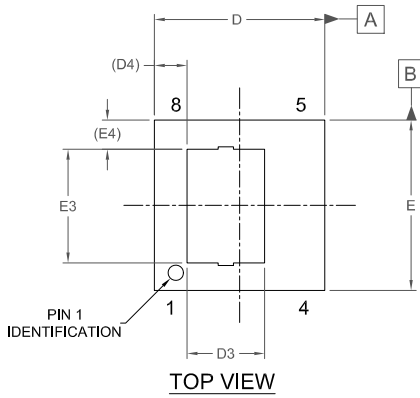
MECHANICAL CASE OUTLINE

PACKAGE DIMENSIONS



PQFN8 3.30x3.30x1.00, 0.65P
CASE 483AL
ISSUE B

DATE 20 DEC 2023



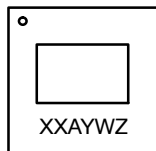
*FOR ADDITIONAL INFORMATION ON OUR PB-FREE STRATEGY AND SOLDERING DETAILS, PLEASE DOWNLOAD THE ON SEMICONDUCTOR SOLDERING AND MOUNTING TECHNIQUES REFERENCE MANUAL, SOLDERRM/D.

NOTES:

- A. DIMENSIONING AND TOLERANCING PER ASME Y14.5M-2009.
- B. ALL DIMENSIONS ARE IN MILLIMETERS.
- C. DIMENSIONS DO NOT INCLUDE BURRS OR MOLD FLASH. MOLD FLASH OR BURRS DOES NOT EXCEED 0.10MM.

DIM	MILLIMETERS		
	MIN.	NOM.	MAX.
A	0.90	1.00	1.10
A1	0.00	-	0.05
b	0.27	0.32	0.37
A3	0.20 REF		
D	3.20	3.30	3.40
D2	2.17	2.27	2.37
D3	1.40	1.55	1.70
D4	0.63 REF		
E	3.20	3.30	3.40
E2	1.90	2.00	2.10
E3	2.10	2.25	2.40
E4	0.56 REF		
E5	0.20 REF		
e	0.65 BSC		
e1	1.95 BSC		
e2	0.98 BSC		
L	0.30	0.40	0.50
L4	0.29	0.39	0.49
z	0.52 REF		
z1	0.52 REF		

GENERIC MARKING DIAGRAM*



- XX = Specific Device Code
- A = Assembly Location
- Y = Year
- W = Work Week
- Z = Assembly Lot Code

*This information is generic. Please refer to device data sheet for actual part marking. Pb-Free indicator, "G" or microdot "•", may or may not be present. Some products may not follow the Generic Marking.

DOCUMENT NUMBER:	98AON13661G	Electronic versions are uncontrolled except when accessed directly from the Document Repository. Printed versions are uncontrolled except when stamped "CONTROLLED COPY" in red.
DESCRIPTION:	PQFN8 3.30x3.30x1.00, 0.65P	PAGE 1 OF 1

onsemi and ONSEMI are trademarks of Semiconductor Components Industries, LLC dba onsemi or its subsidiaries in the United States and/or other countries. onsemi reserves the right to make changes without further notice to any products herein. onsemi makes no warranty, representation or guarantee regarding the suitability of its products for any particular purpose, nor does onsemi assume any liability arising out of the application or use of any product or circuit, and specifically disclaims any and all liability, including without limitation special, consequential or incidental damages. onsemi does not convey any license under its patent rights nor the rights of others.